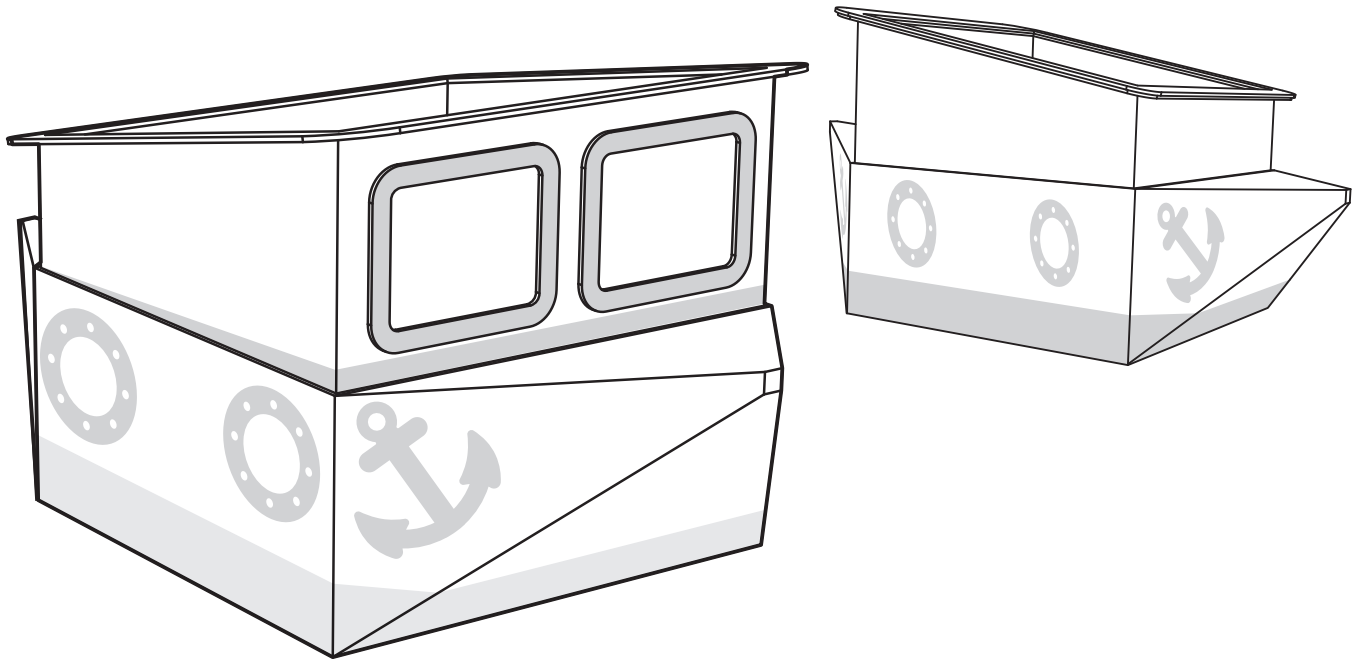


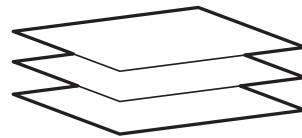
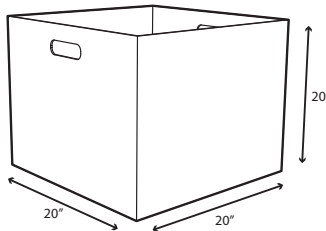
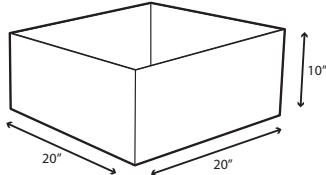
# HMS ALL A-BOARD



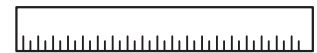
**PLEASE NOTE:** parental supervision is required when assembling the boxes, children should not use sharp cutting tools without the supervision of a responsible adult (over the age of 18).

**CAUTION:** Always use a cutting mat or protective surface when cutting with a knife or similar tool.

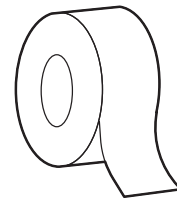
## You will need:



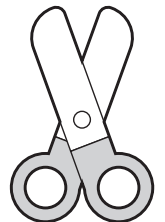
1000mm x  
1000mm  
Cardboard Sheets  
(x3)



A long ruler

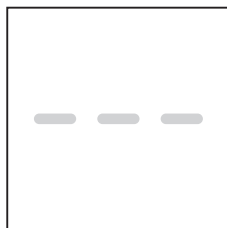


Double  
Sided Tape  
(High tac)

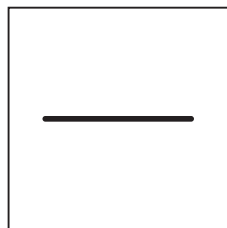


Scissors  
(or Box  
Cutter)

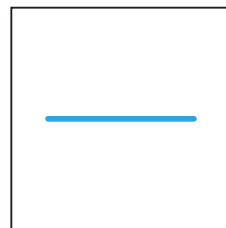
## Key:



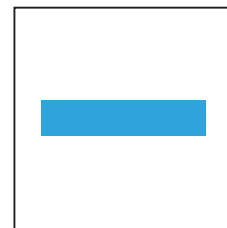
Fold



Cut

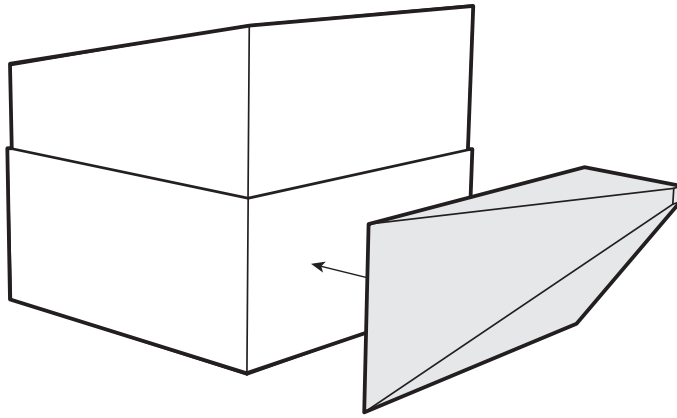


Sheet



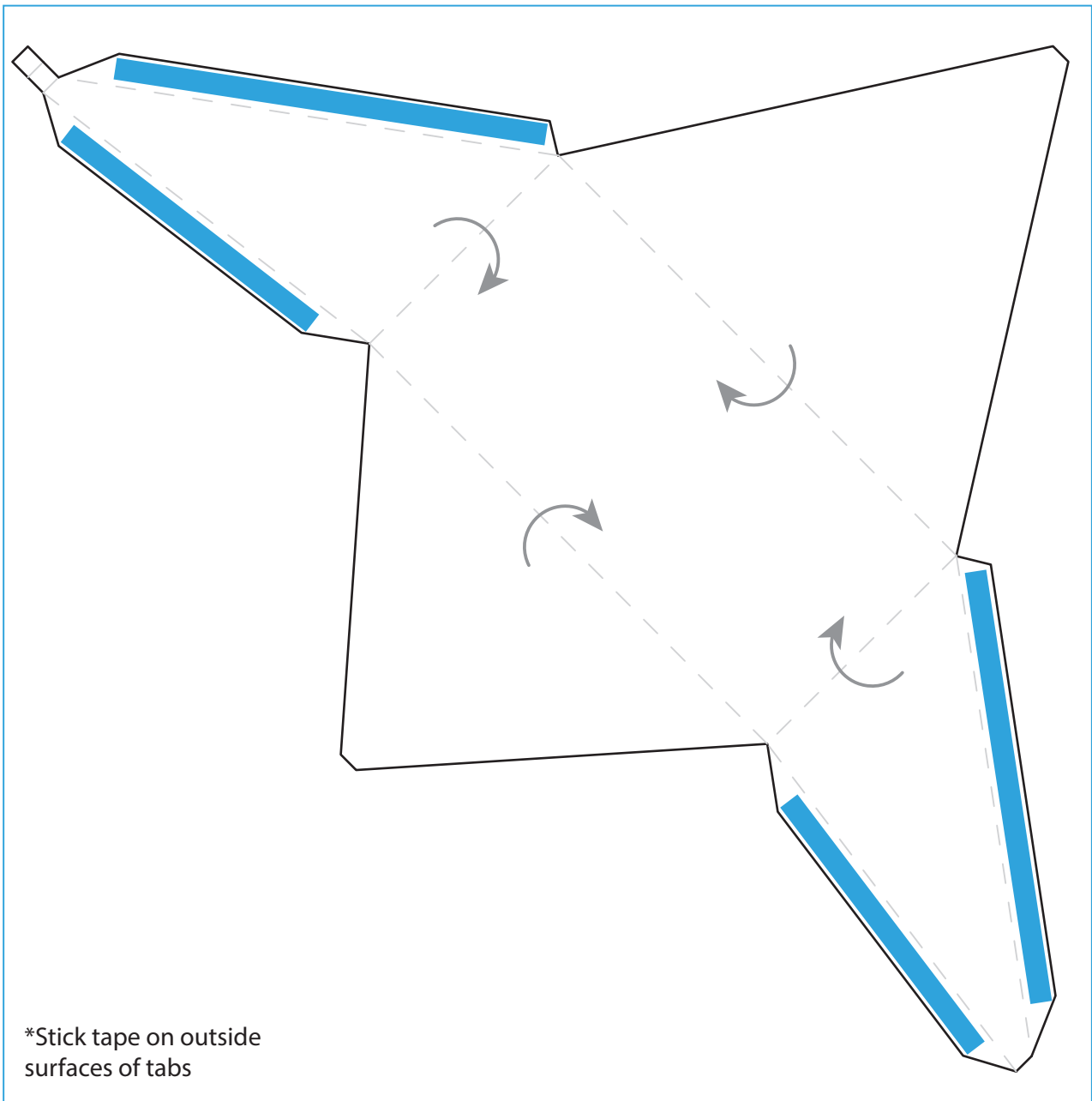
Tape

# 1. BOAT FRONT



\*Stick the assembled parts together using double sided tape or PVA glue

1000mm



1000mm

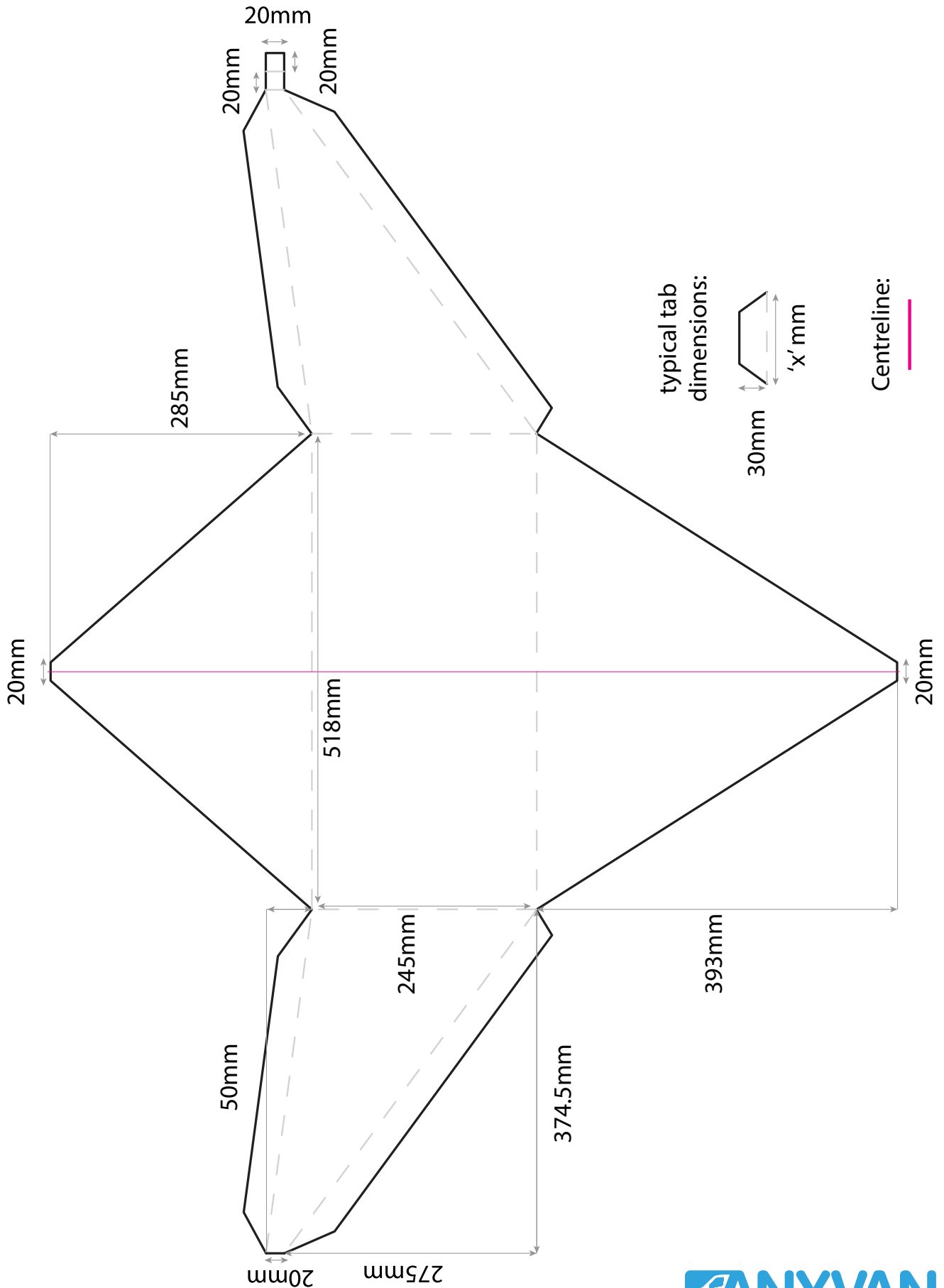
\*Stick tape on outside surfaces of tabs

**PLEASE NOTE:** parental supervision is required when assembling the boxes, children should not use sharp cutting tools without the supervision of a responsible adult (over the age of 18).

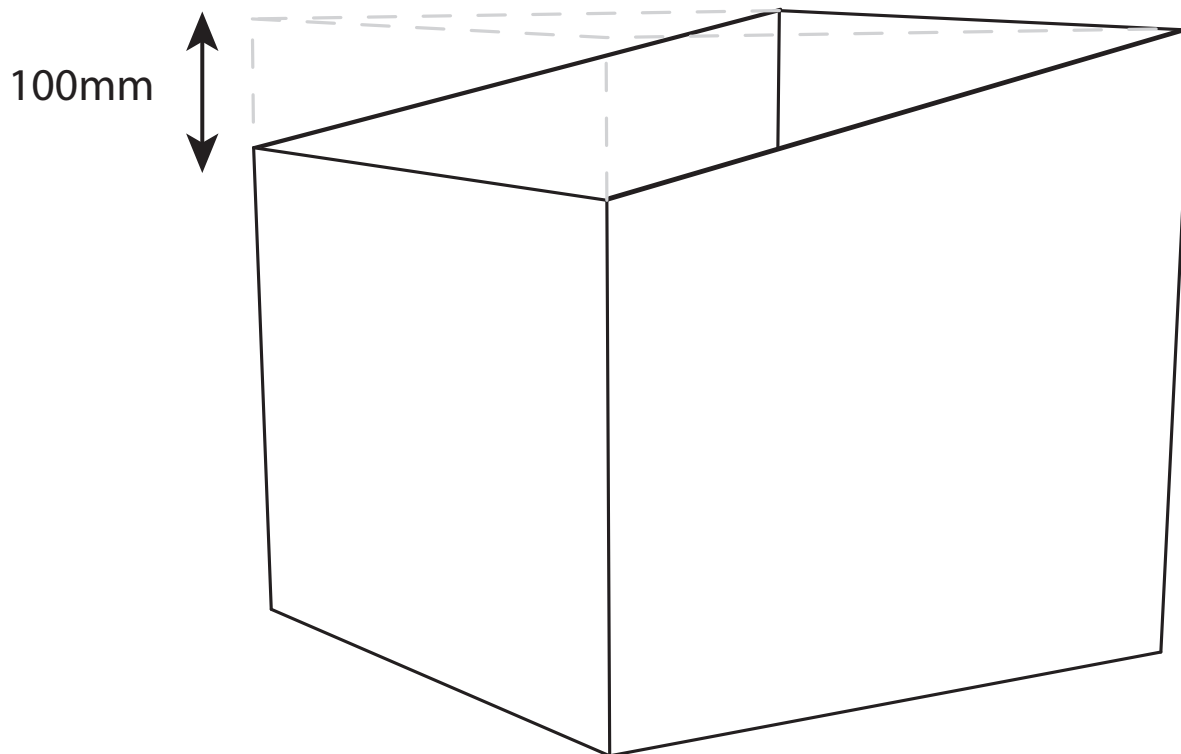
**CAUTION:** Always use a cutting mat or protective surface when cutting with a knife or similar tool.

# 1. BOAT FRONT

\*drawing not to scale



## 2. BOAT BODY



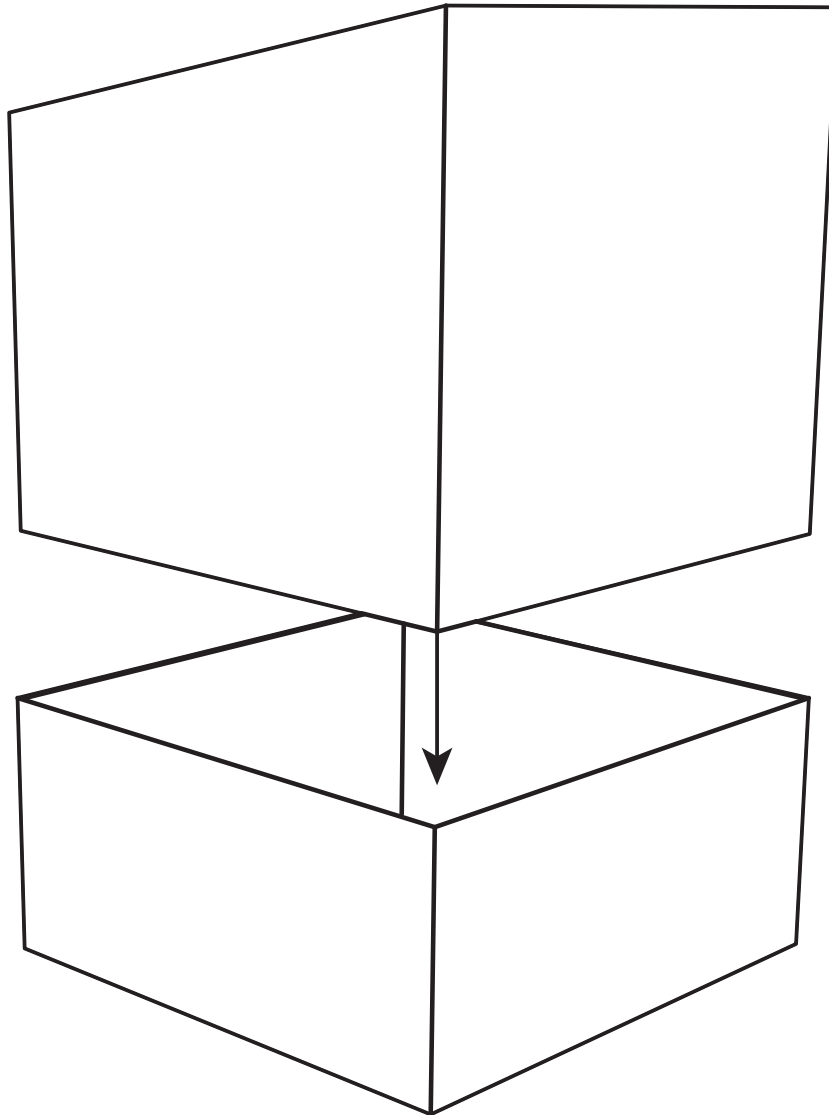
\*Remove a triangle of material from the box as indicated above

**PLEASE NOTE:** parental supervision is required when assembling the boxes, children should not use sharp cutting tools without the supervision of a responsible adult (over the age of 18).

**CAUTION:** Always use a cutting mat or protective surface when cutting with a knife or similar tool.

## 2. BOAT BODY

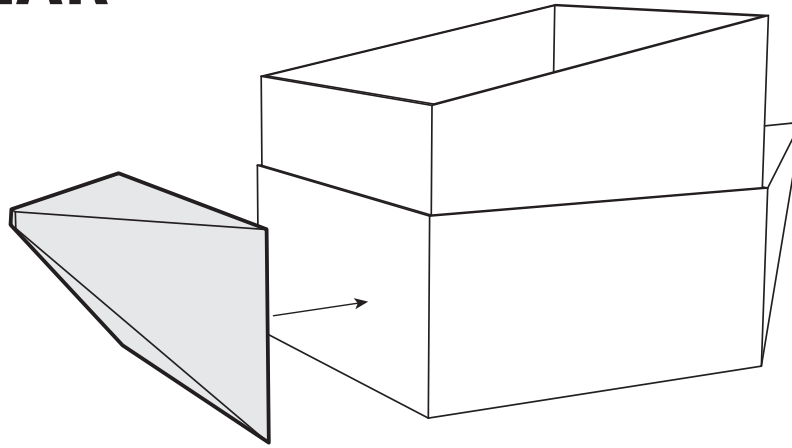
\*Stick the larger box to the inside of the smaller box



**PLEASE NOTE:** parental supervision is required when assembling the boxes, children should not use sharp cutting tools without the supervision of a responsible adult (over the age of 18).

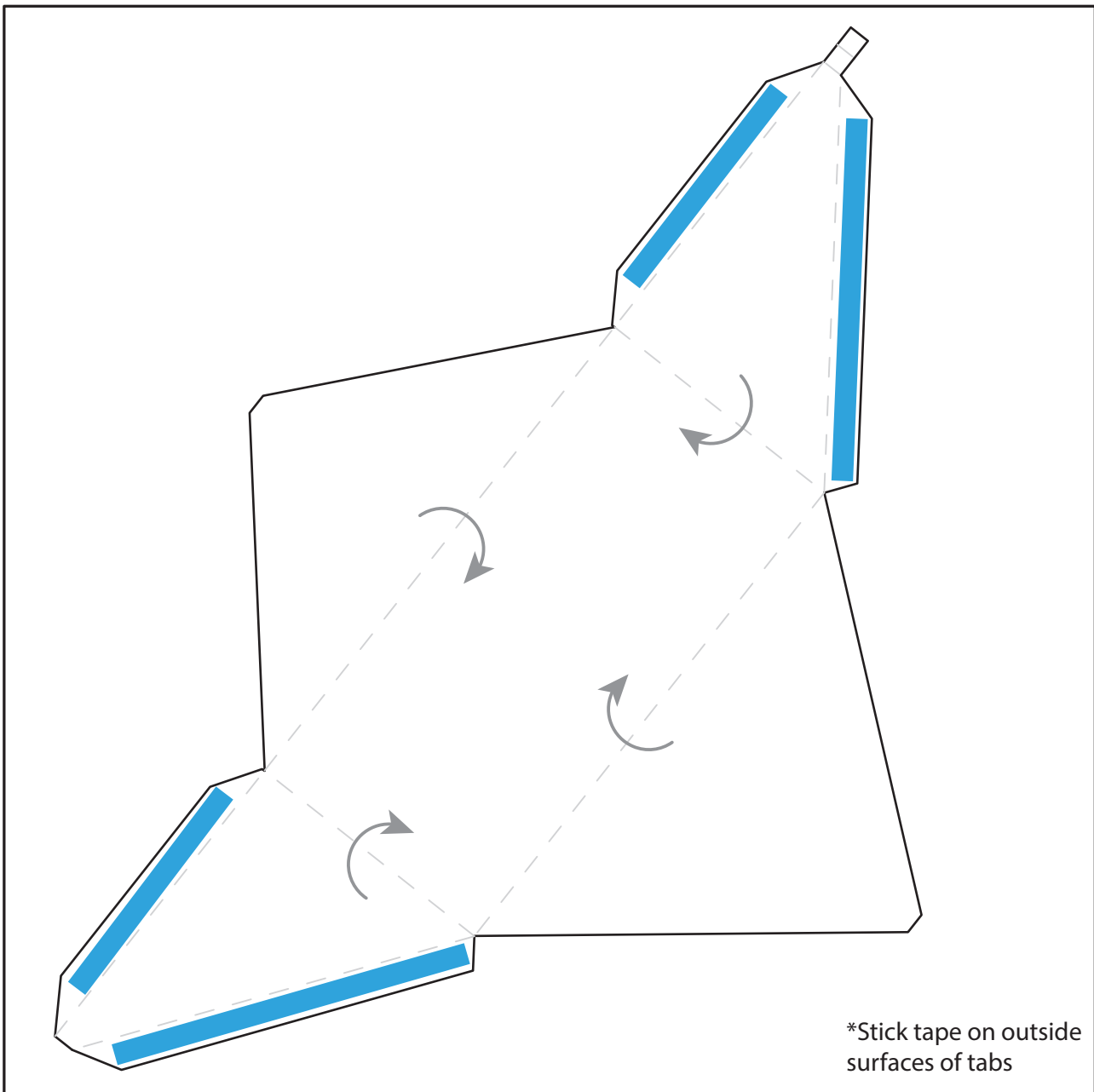
**CAUTION:** Always use a cutting mat or protective surface when cutting with a knife or similar tool.

# 3. BOAT REAR



1000mm

\*Stick the assembled parts together using double sided tape or PVA glue

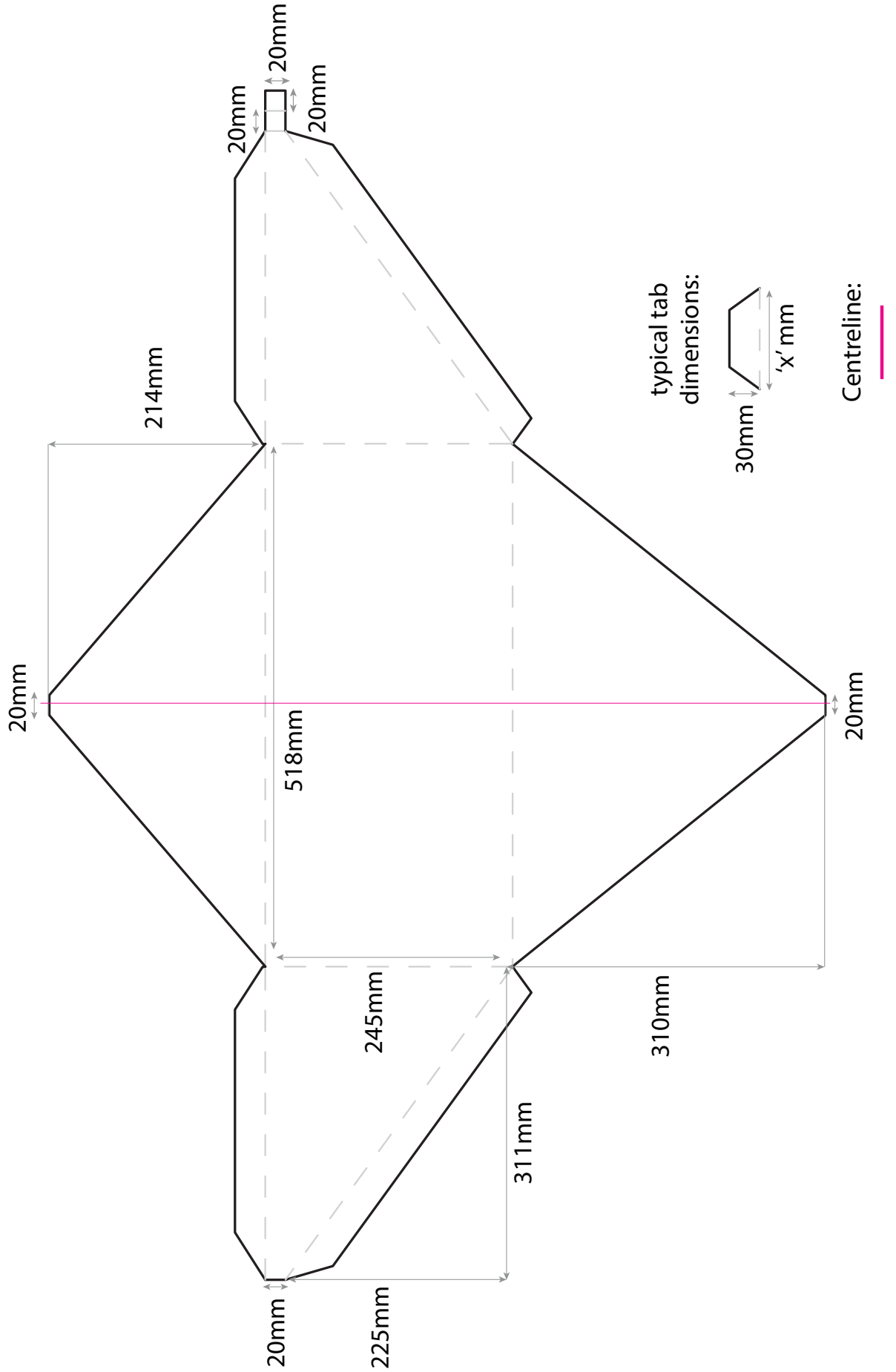


**PLEASE NOTE:** parental supervision is required when assembling the boxes, children should not use sharp cutting tools without the supervision of a responsible adult (over the age of 18).

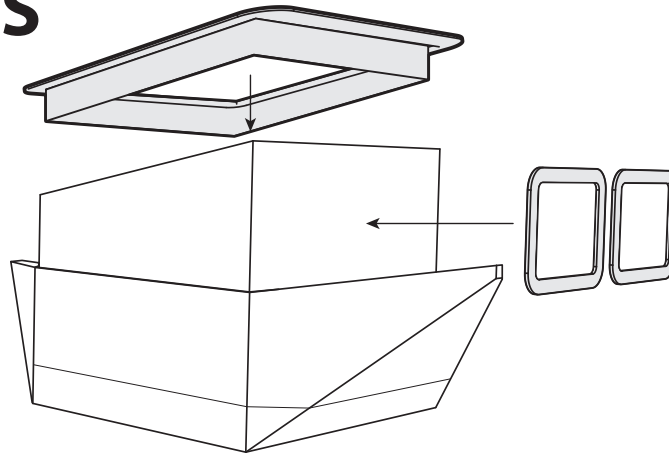
**CAUTION:** Always use a cutting mat or protective surface when cutting with a knife or similar tool.

# 3. BOAT REAR

\*drawing not to scale

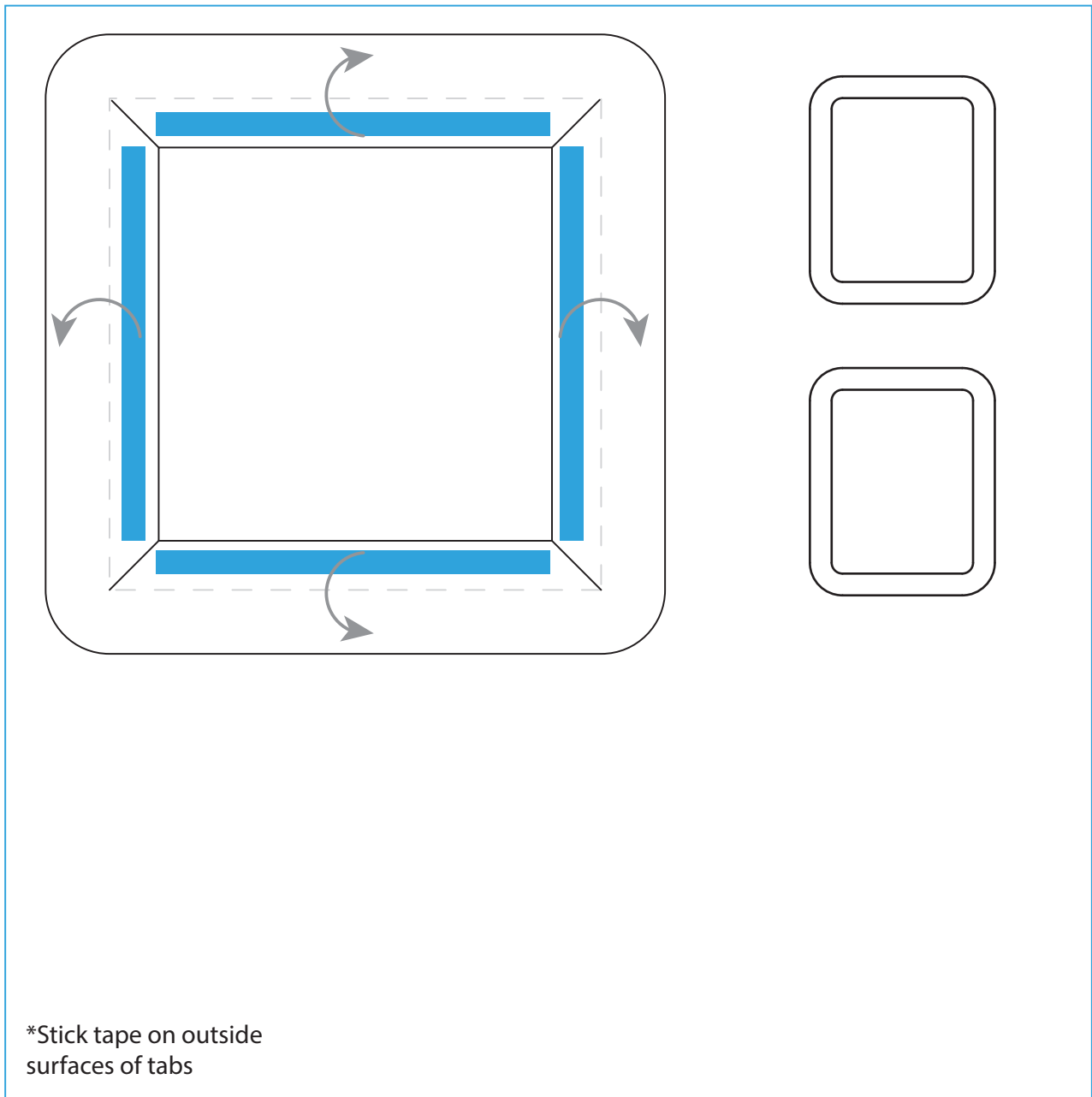


# ACCESSORIES



1000mm

\*Stick the assembled parts together using double sided tape or PVA glue



1000mm

\*Stick tape on outside surfaces of tabs

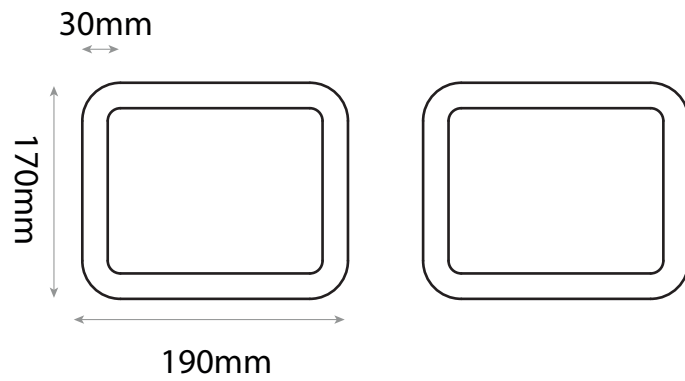
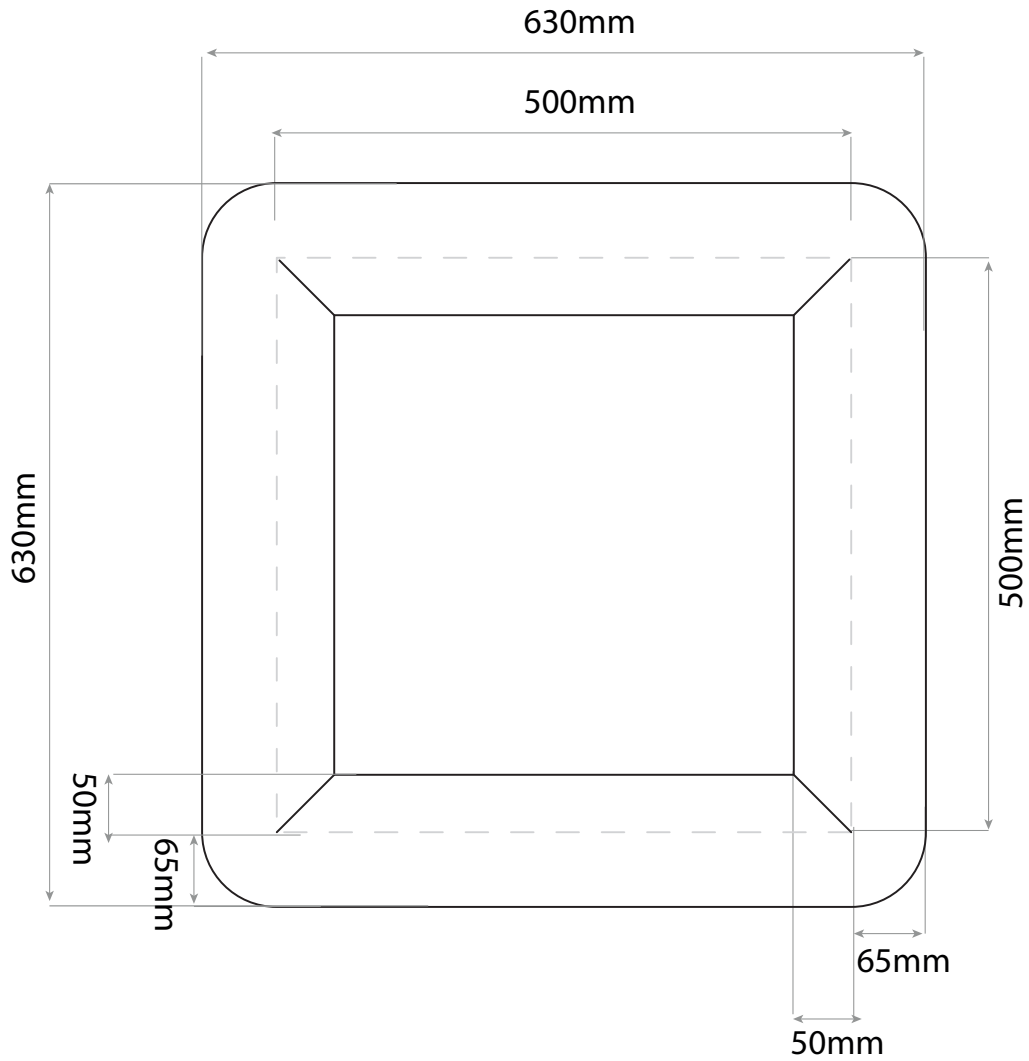
**PLEASE NOTE:** parental supervision is required when assembling the boxes, children should not use sharp cutting tools without the supervision of a responsible adult (over the age of 18).

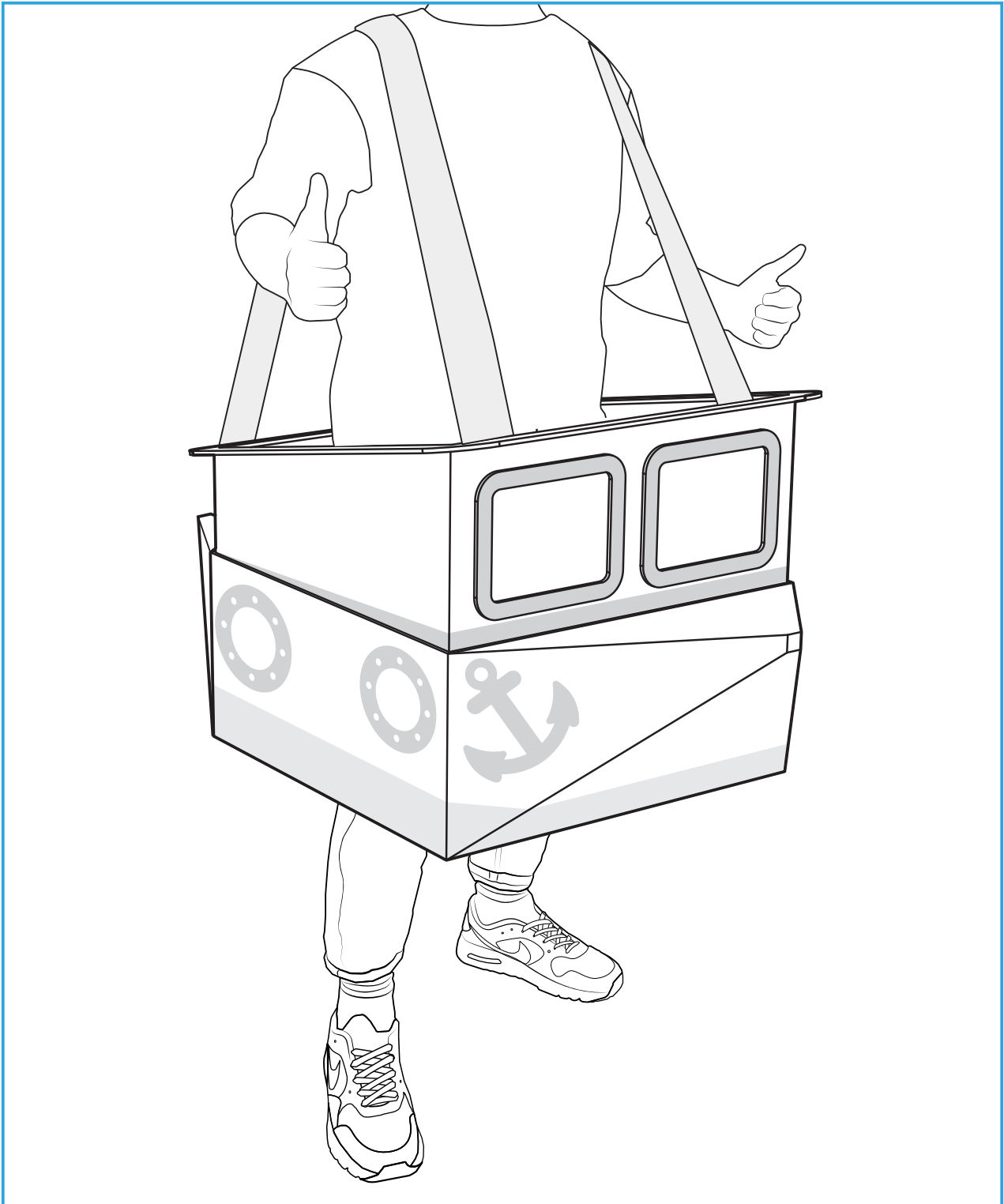
**CAUTION:** Always use a cutting mat or protective surface when cutting with a knife or similar tool.



# ACCESSORIES

\*drawing not to scale





**BONUS FEATURE:**

Glue fabric straps to the corners and cut out the bottom of the box for a wearable party outfit!