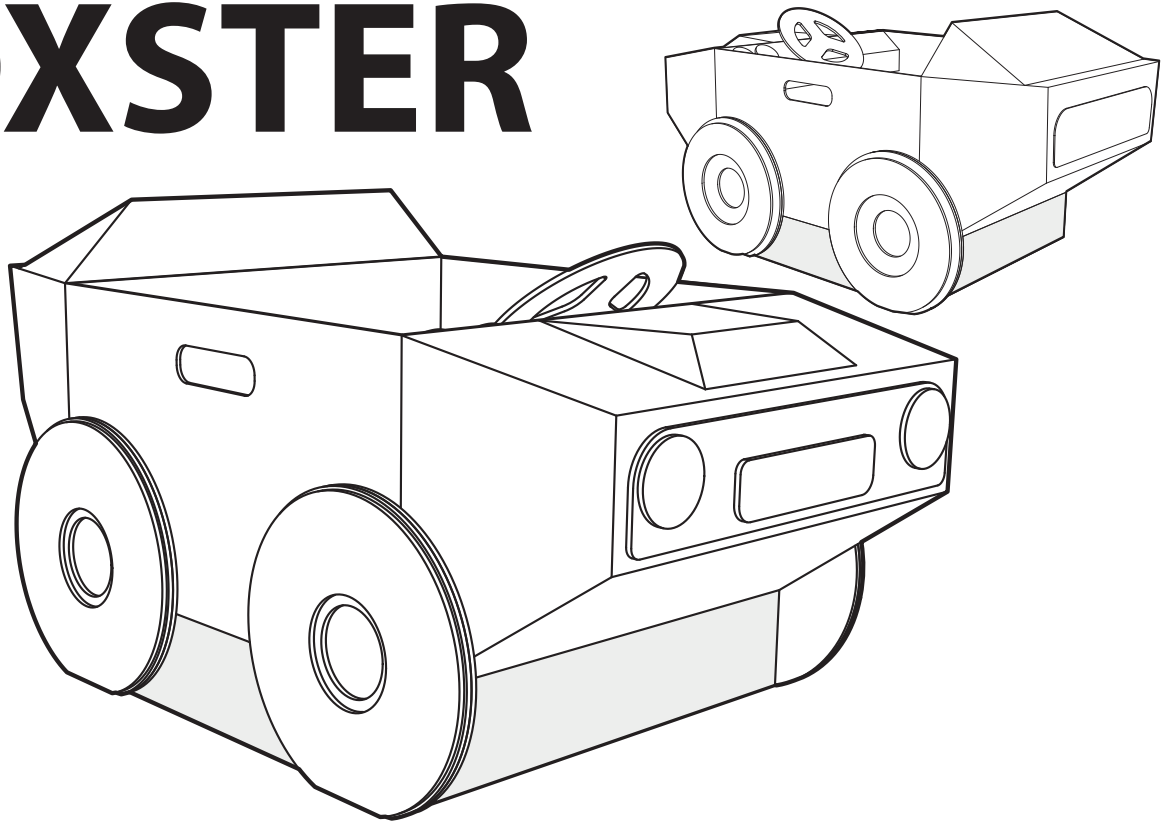


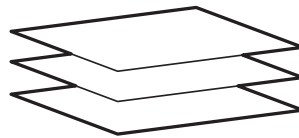
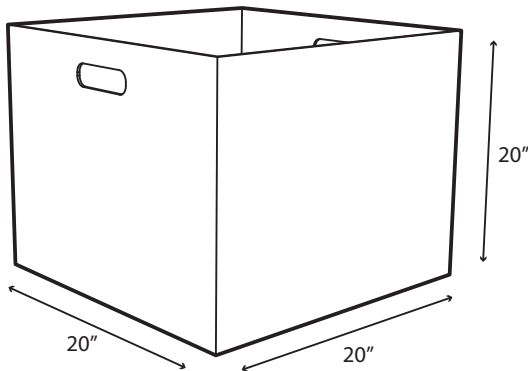
BOXSTER



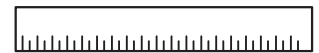
PLEASE NOTE: parental supervision is required when assembling the boxes, children should not use sharp cutting tools without the supervision of a responsible adult (over the age of 18).

CAUTION: Always use a cutting mat or protective surface when cutting with a knife or similar tool.

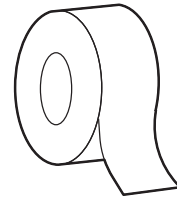
You will need:



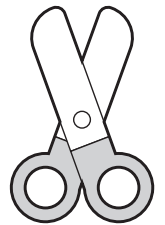
1000mm x
1000mm
Cardboard Sheets
(x3)



A long ruler

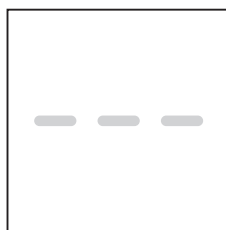


Double
Sided Tape
(High tac)

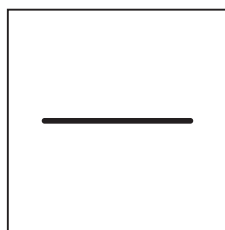


Scissors
(or Box
Cutter)

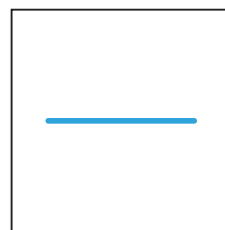
Key:



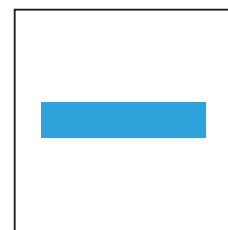
Fold



Cut

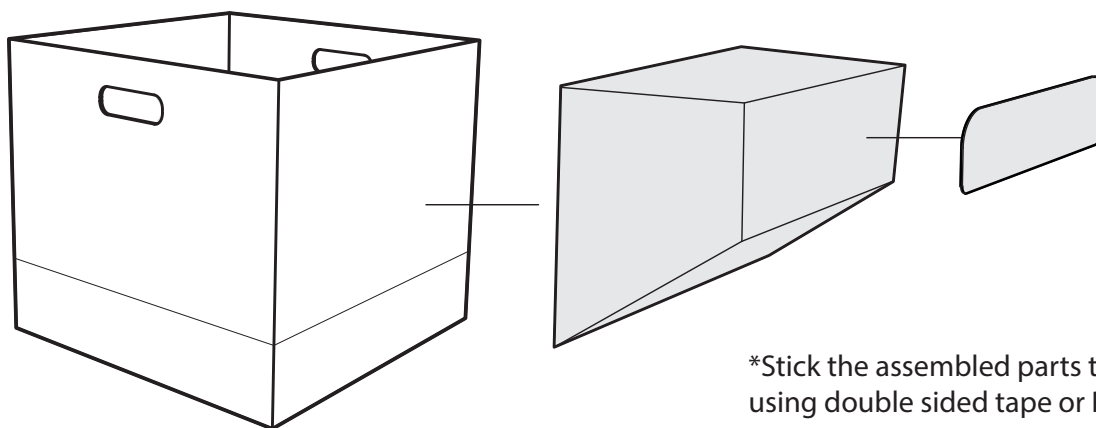


Sheet



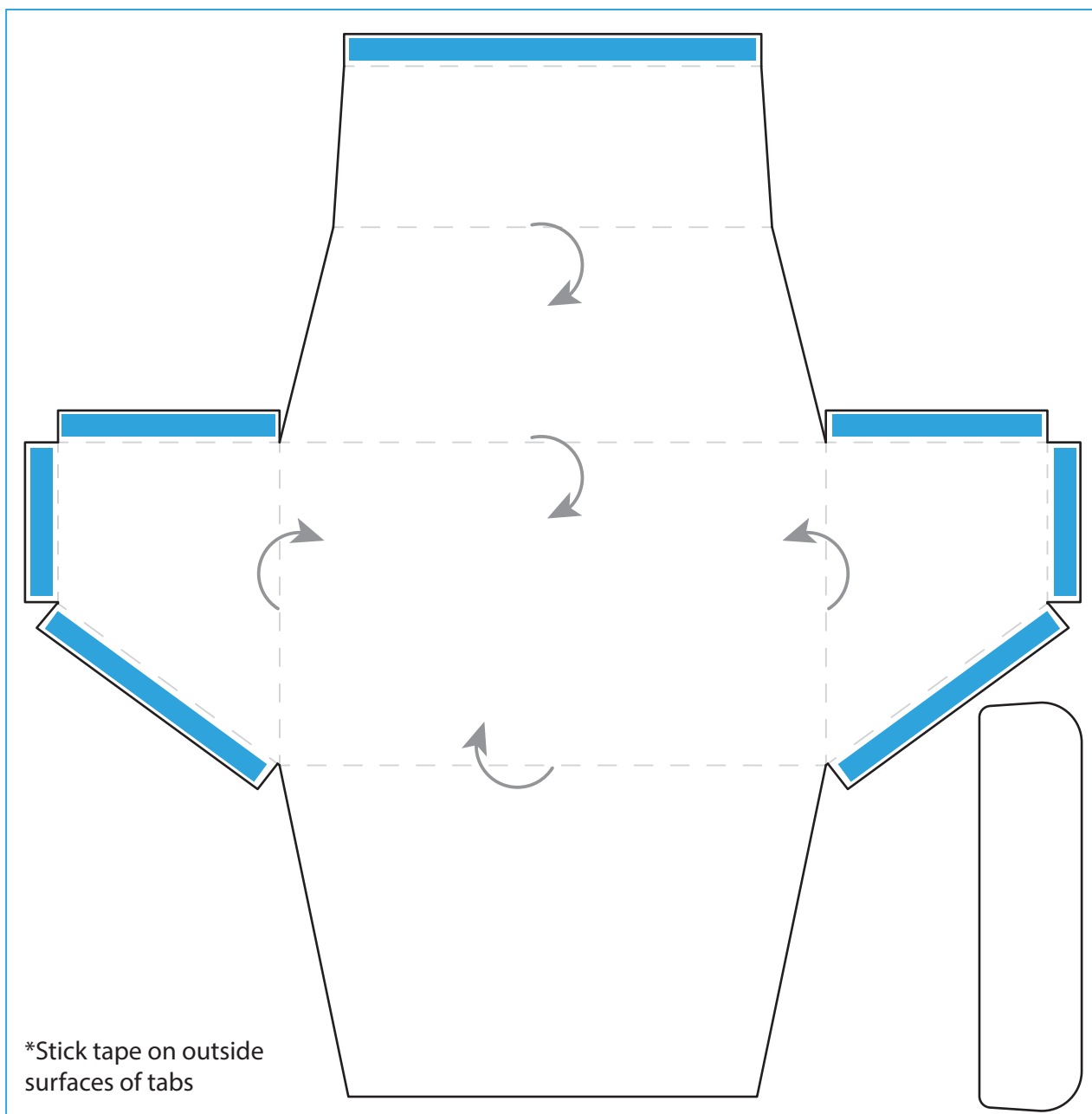
Tape

1. CAR REAR



*Stick the assembled parts together using double sided tape or PVA glue

1000mm



1000mm

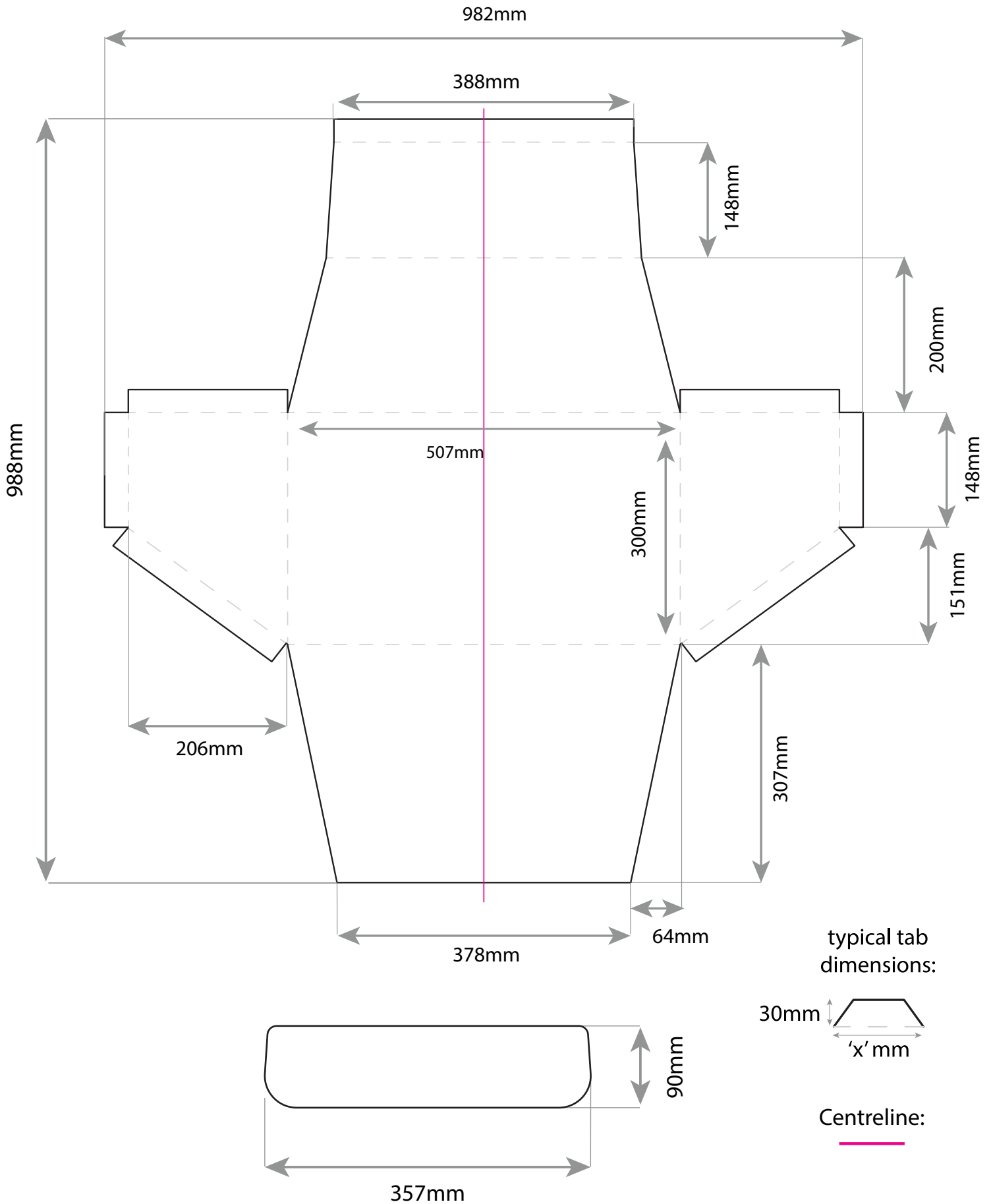
*Stick tape on outside surfaces of tabs

PLEASE NOTE: parental supervision is required when assembling the boxes, children should not use sharp cutting tools without the supervision of a responsible adult (over the age of 18).

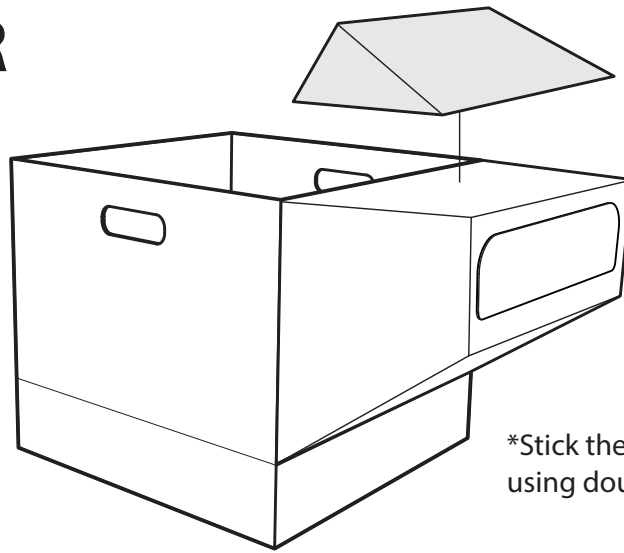
CAUTION: Always use a cutting mat or protective surface when cutting with a knife or similar tool.

1. CAR REAR

*drawing not to scale

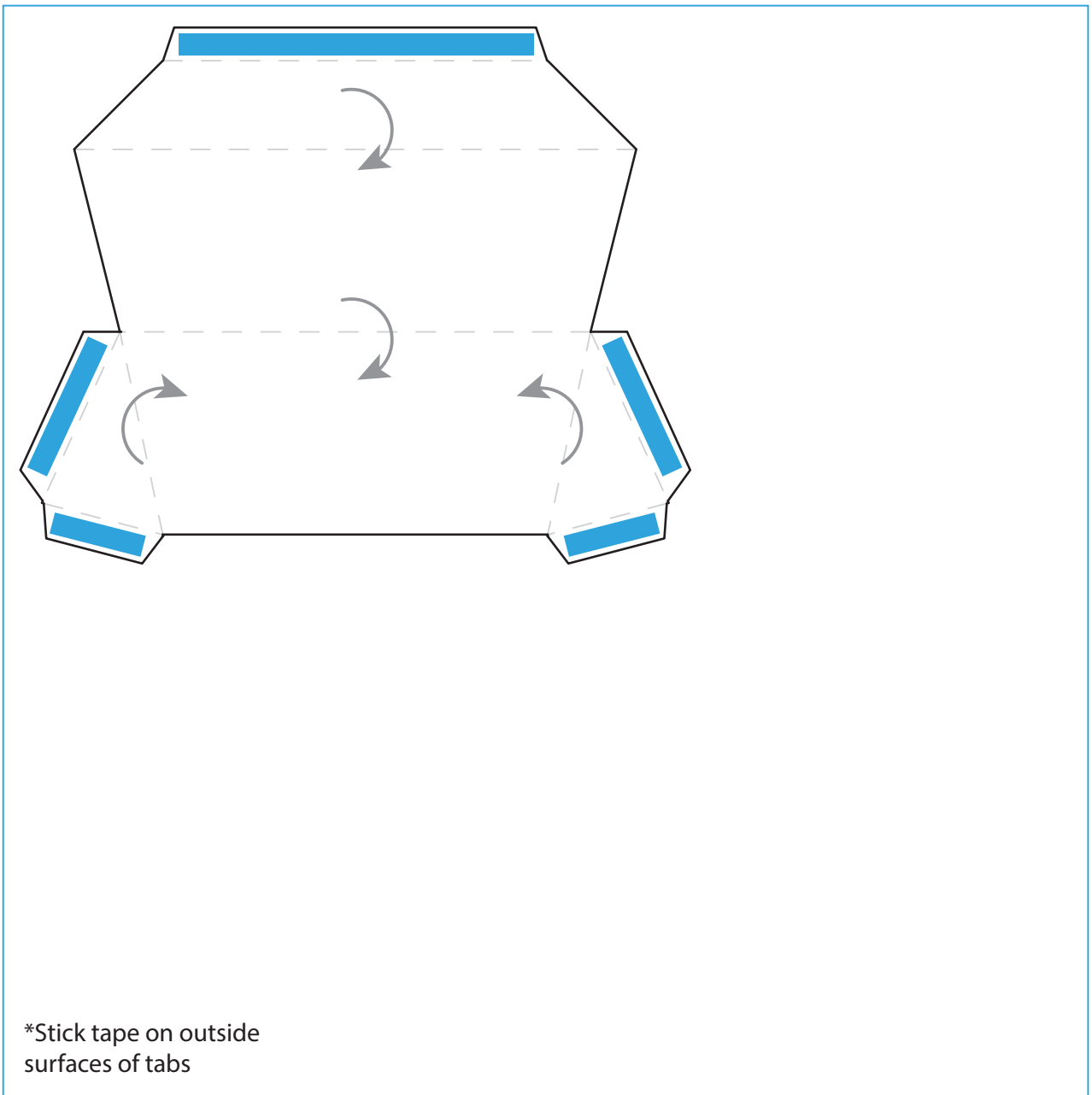


2. CAR REAR



*Stick the assembled parts together using double sided tape or PVA glue

1000mm



1000mm

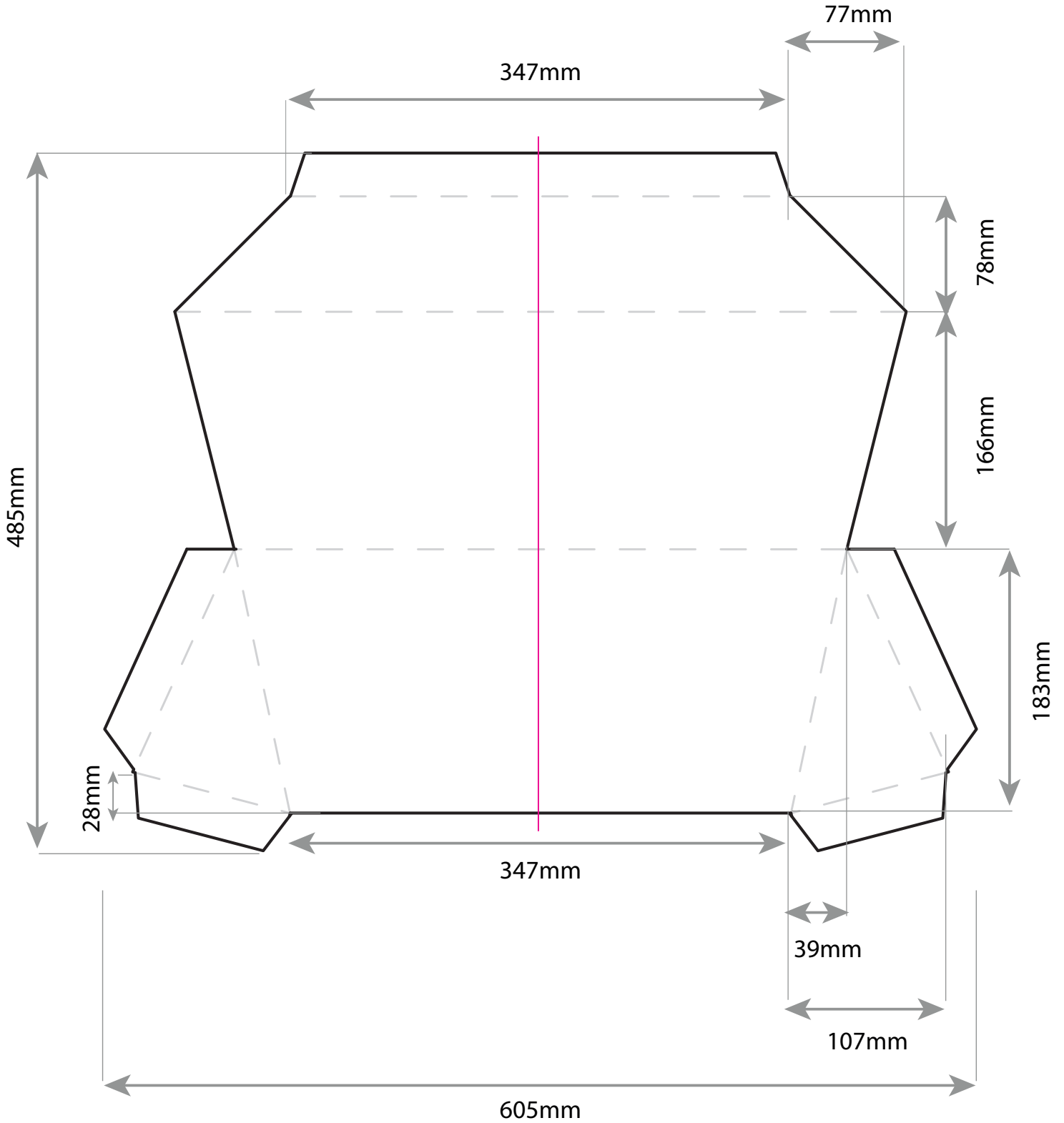
*Stick tape on outside surfaces of tabs

PLEASE NOTE: parental supervision is required when assembling the boxes, children should not use sharp cutting tools without the supervision of a responsible adult (over the age of 18).

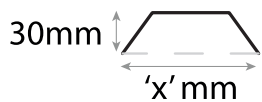
CAUTION: Always use a cutting mat or protective surface when cutting with a knife or similar tool.

2. CAR REAR

*drawing not to scale



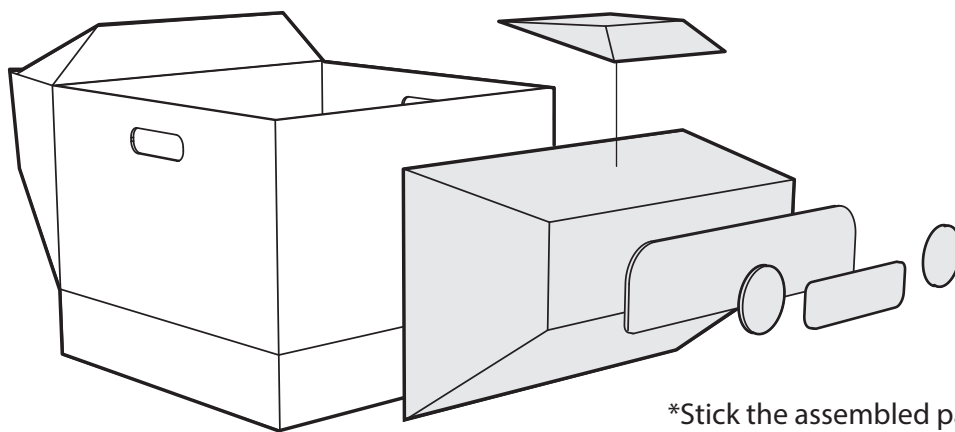
typical tab
dimensions:



Centreline:

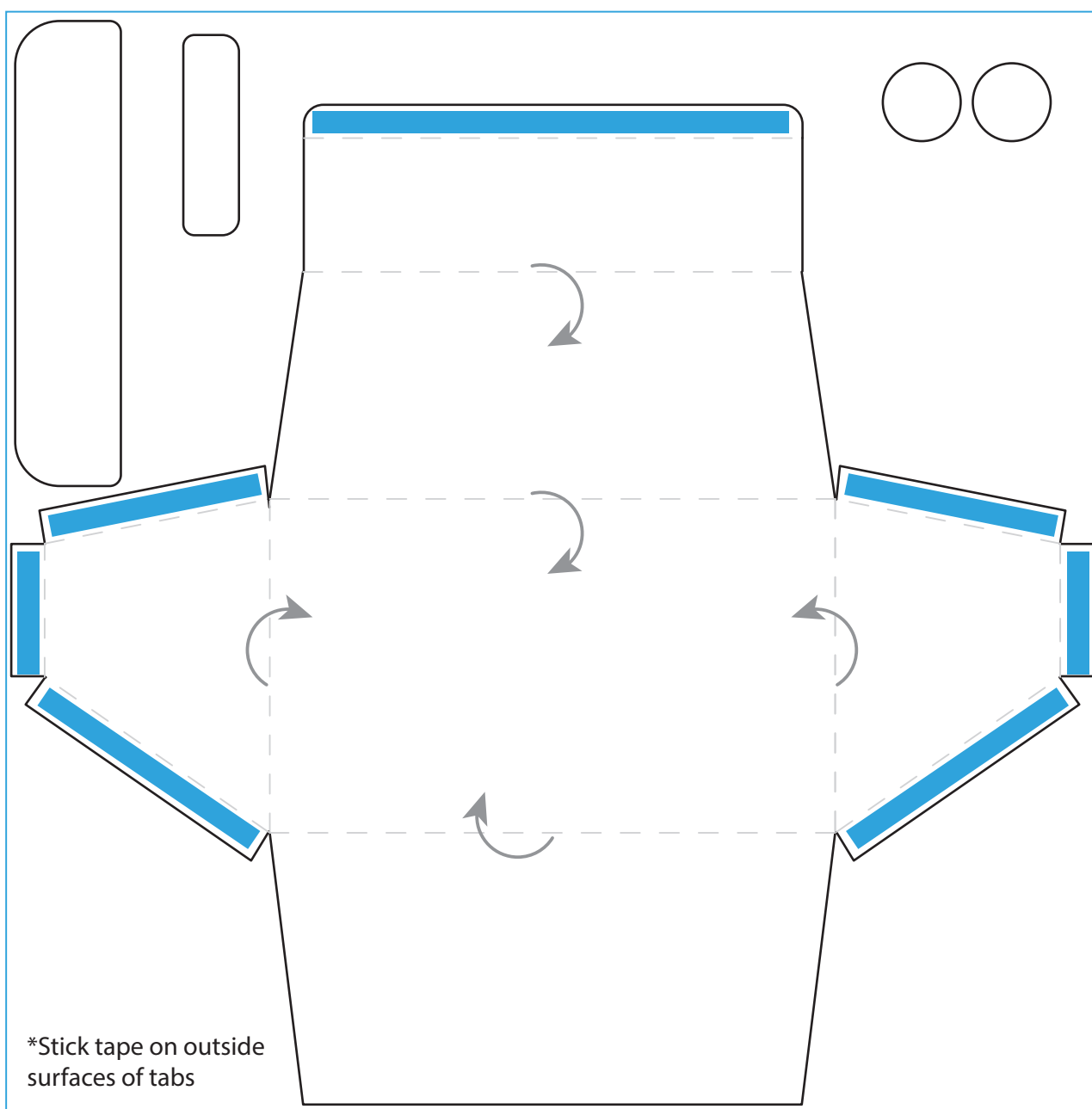


3. CAR FRONT



1000mm

*Stick the assembled parts together using double sided tape or PVA glue



1000mm

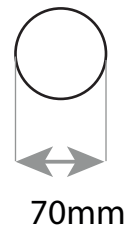
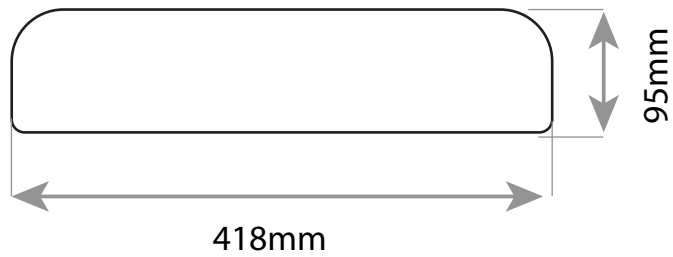
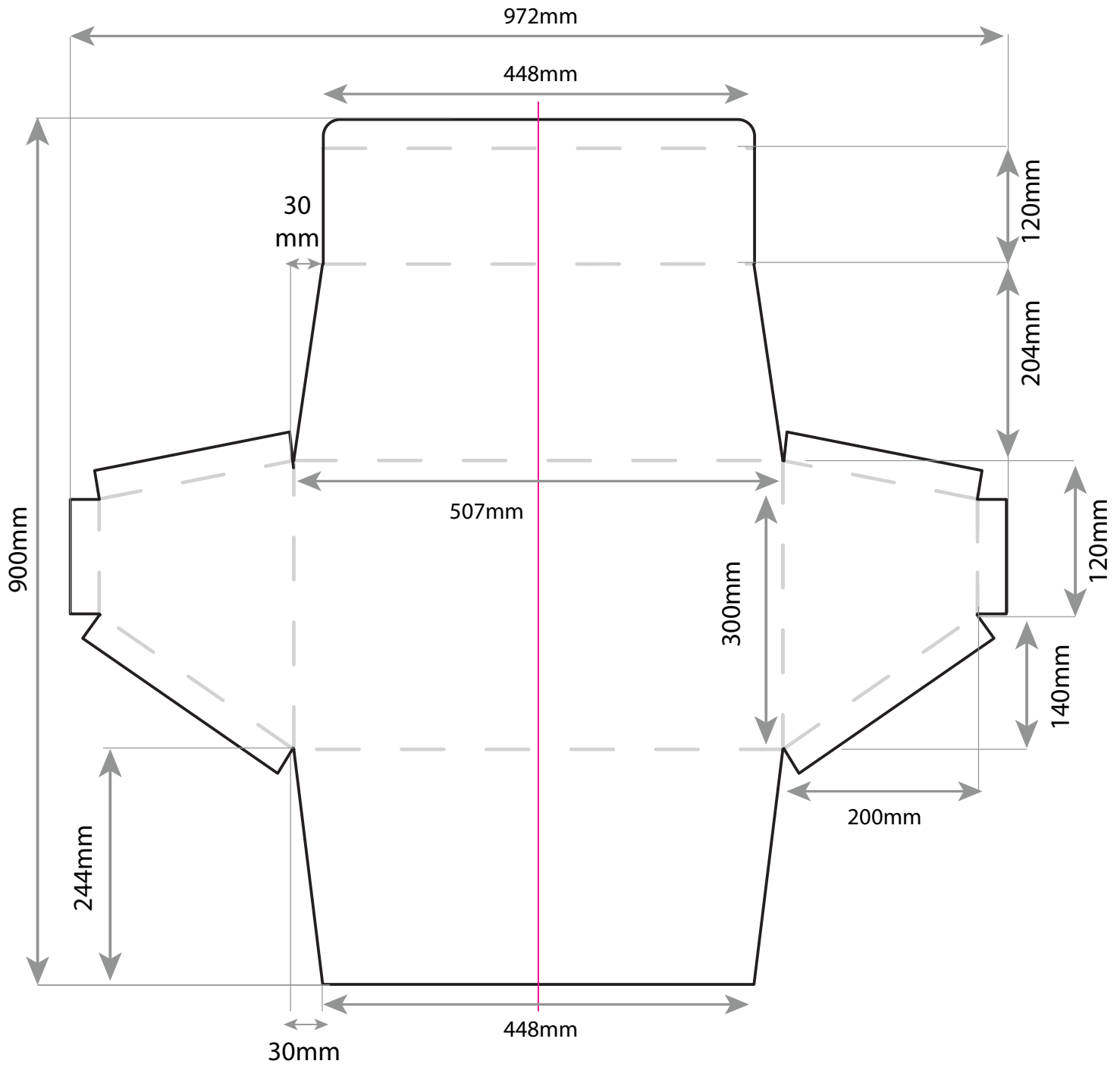
*Stick tape on outside surfaces of tabs

PLEASE NOTE: parental supervision is required when assembling the boxes, children should not use sharp cutting tools without the supervision of a responsible adult (over the age of 18).

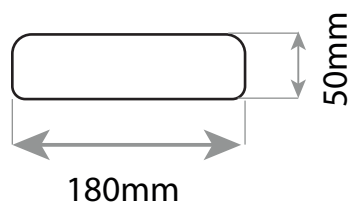
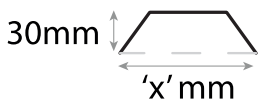
CAUTION: Always use a cutting mat or protective surface when cutting with a knife or similar tool.

3. CAR FRONT

*drawing not to scale



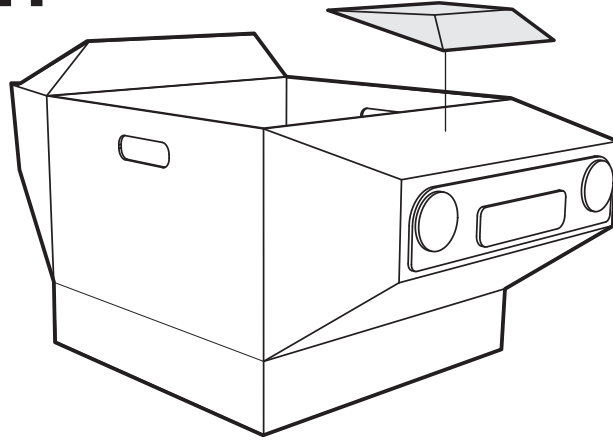
typical tab dimensions:



Centreline:

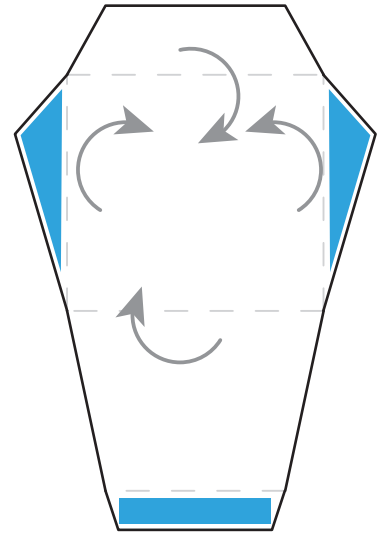


4. CAR FRONT



1000mm

*Stick the assembled parts together using double sided tape or PVA glue



1000mm

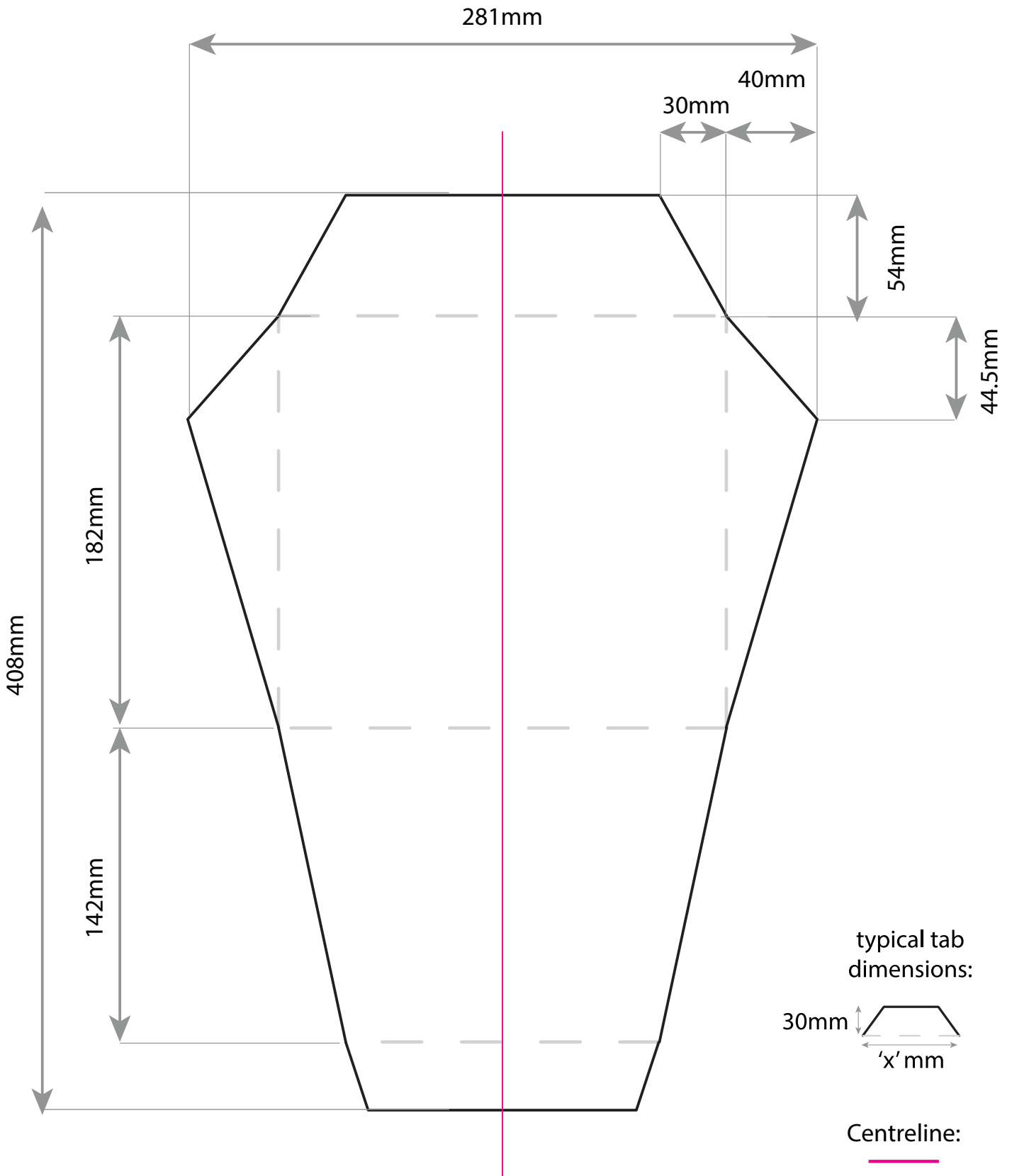
*Stick tape on outside surfaces of tabs

PLEASE NOTE: parental supervision is required when assembling the boxes, children should not use sharp cutting tools without the supervision of a responsible adult (over the age of 18).

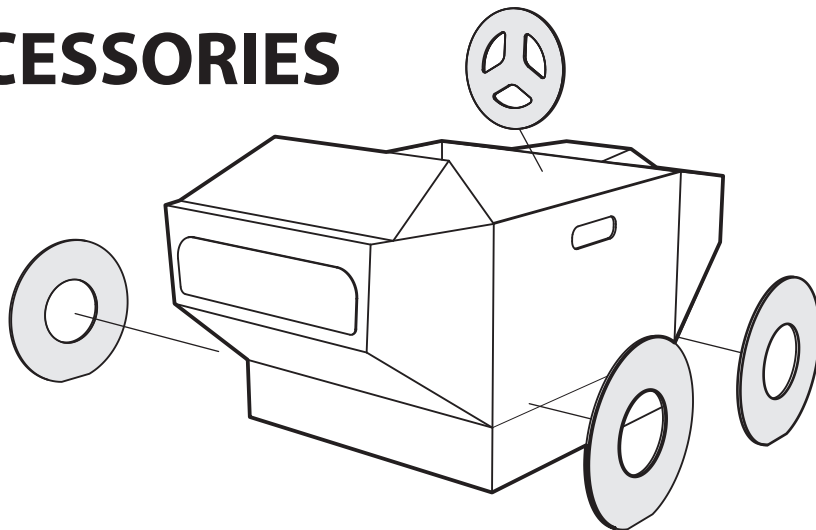
CAUTION: Always use a cutting mat or protective surface when cutting with a knife or similar tool.

4. CAR FRONT

*drawing not to scale

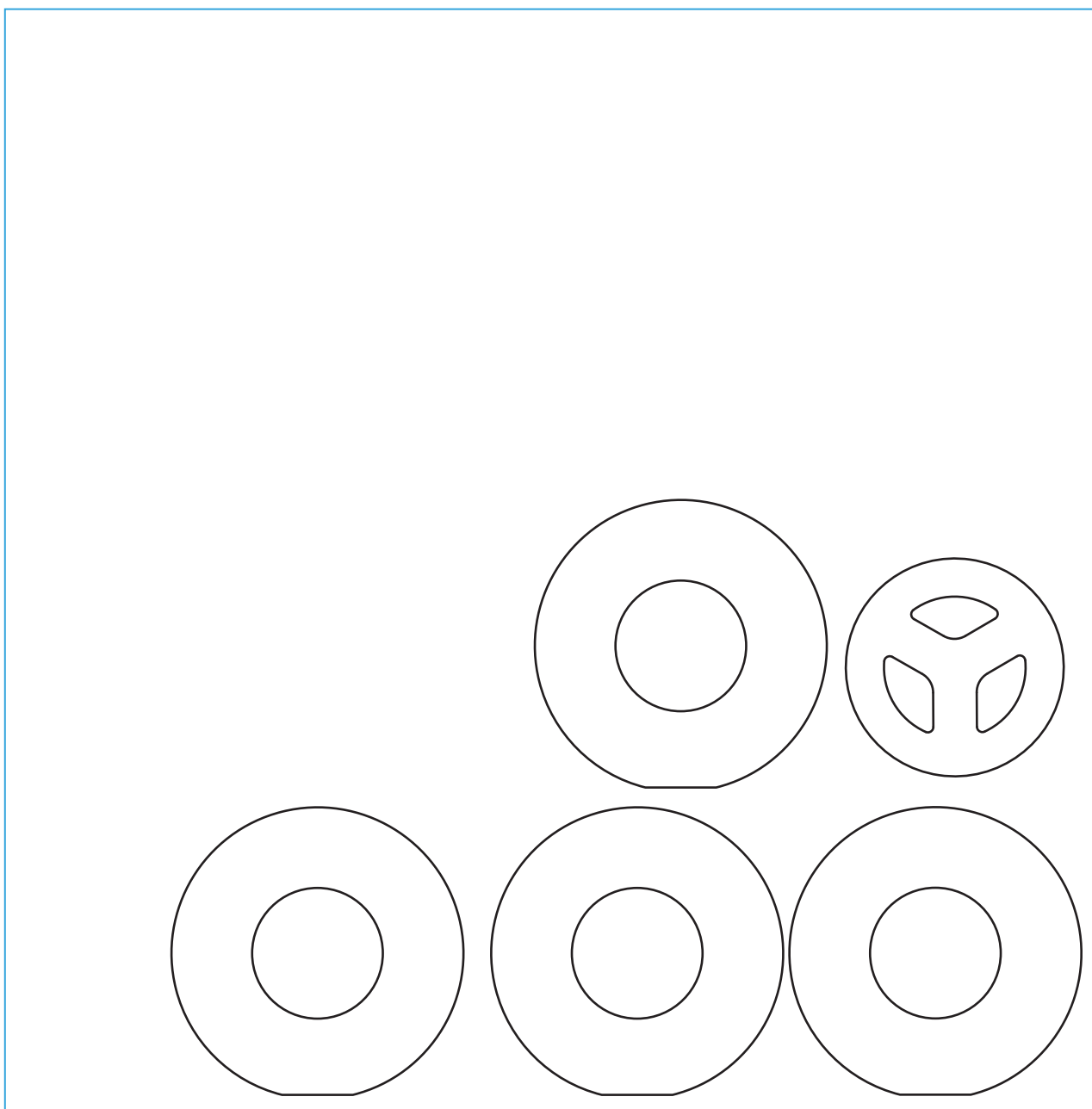


5. ACCESSORIES



1000mm

*Stick the assembled parts together using double sided tape or PVA glue



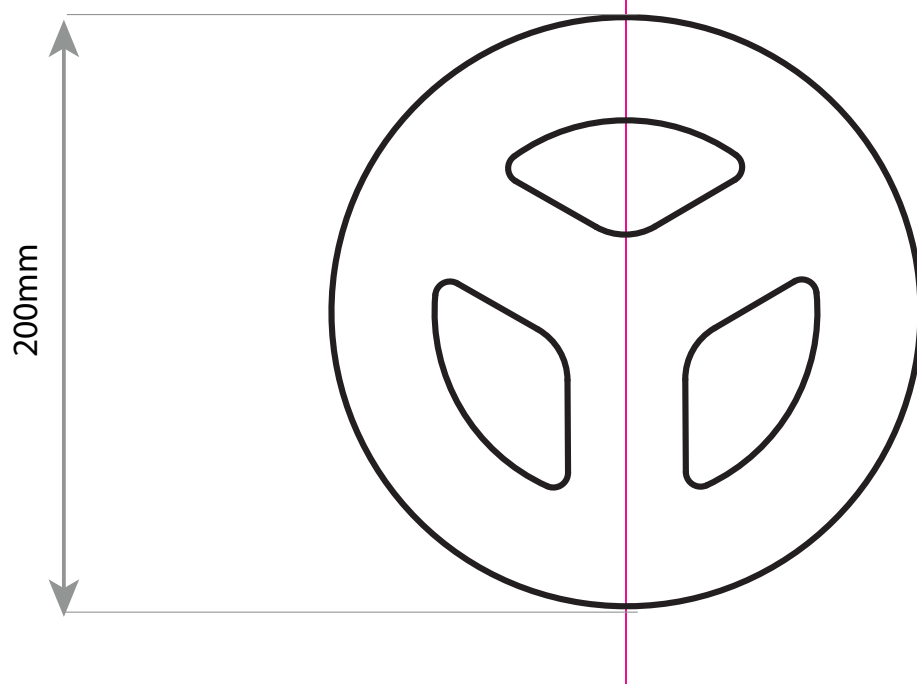
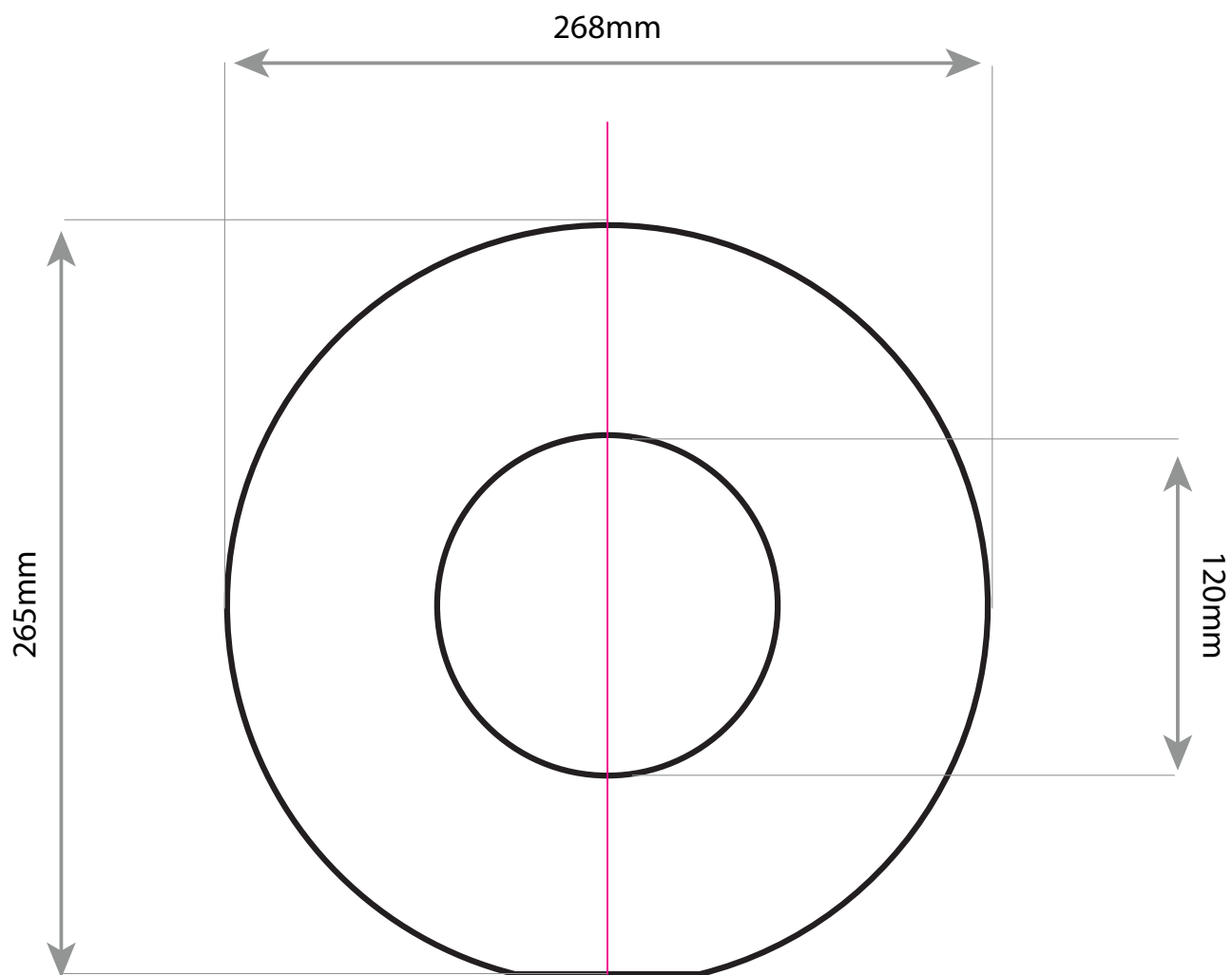
1000mm

PLEASE NOTE: parental supervision is required when assembling the boxes, children should not use sharp cutting tools without the supervision of a responsible adult (over the age of 18).

CAUTION: Always use a cutting mat or protective surface when cutting with a knife or similar tool.

5. ACCESSORIES

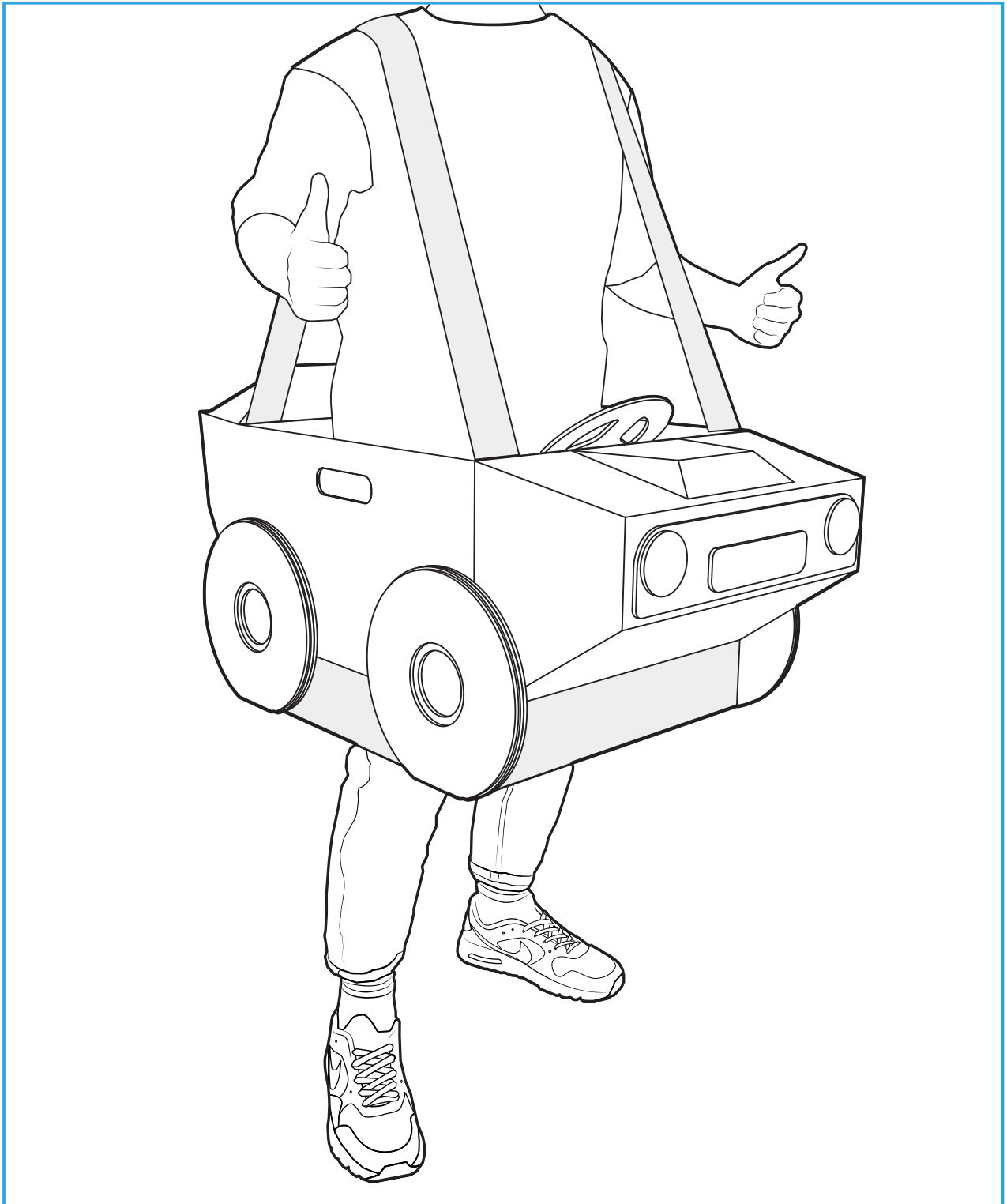
*drawing not to scale



Centreline:



FINAL RESULT



BONUS FEATURE:

Glue fabric straps to the corners and cut out the bottom of the box for a wearable party outfit!