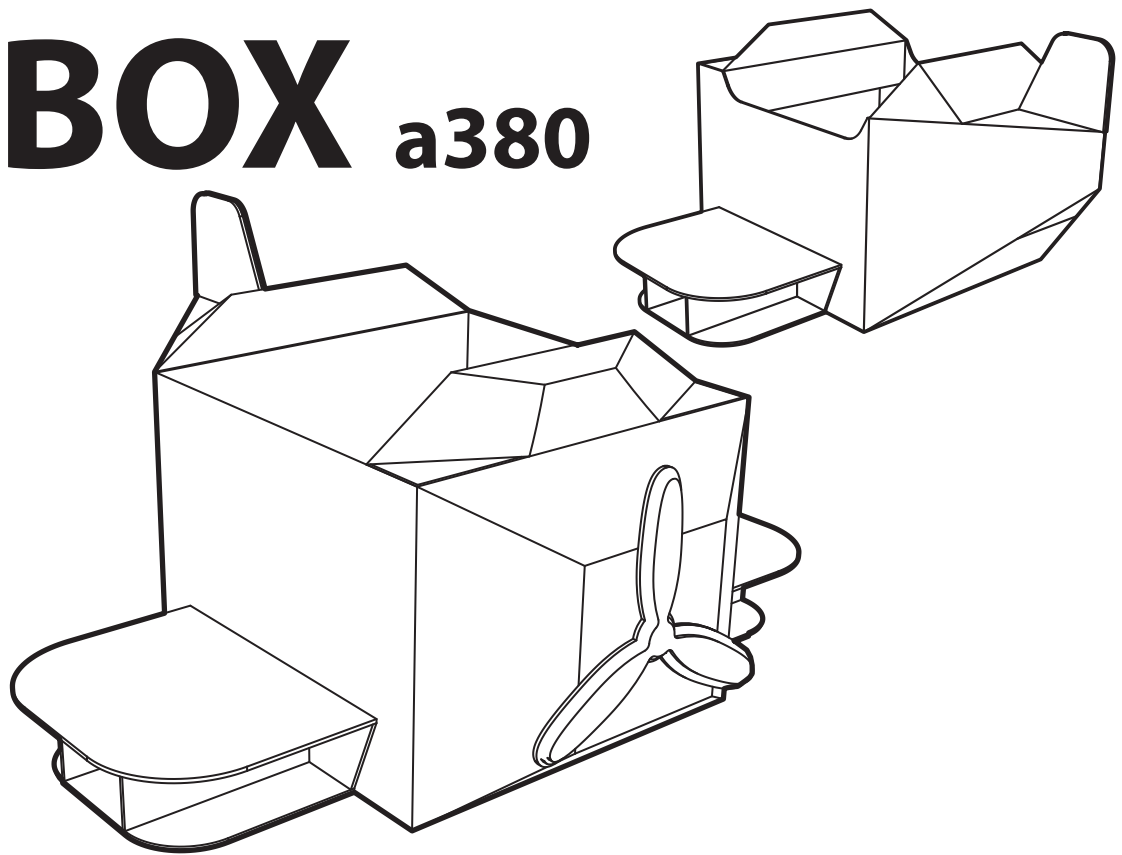


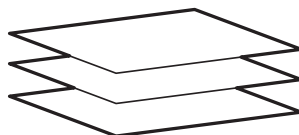
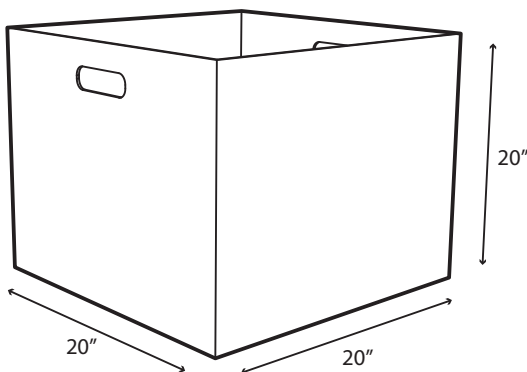
AIRBOX a380



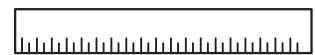
PLEASE NOTE: parental supervision is required when assembling the boxes, children should not use sharp cutting tools without the supervision of a responsible adult (over the age of 18).

CAUTION: Always use a cutting mat or protective surface when cutting with a knife or similar tool.

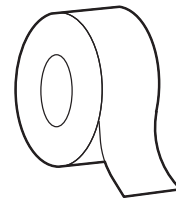
You will need:



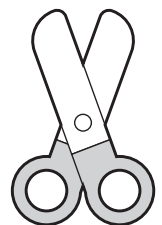
1000mm x
1000mm
Cardboard Sheets
(x4)



A long ruler

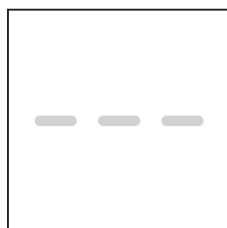


Double
Sided Tape
(High tac)

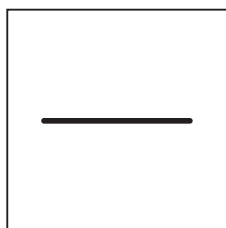


Scissors
(or Box
Cutter)

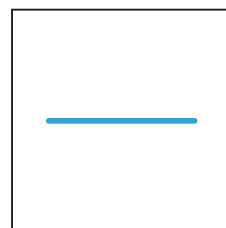
Key:



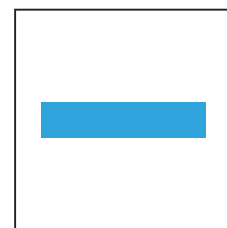
Fold



Cut

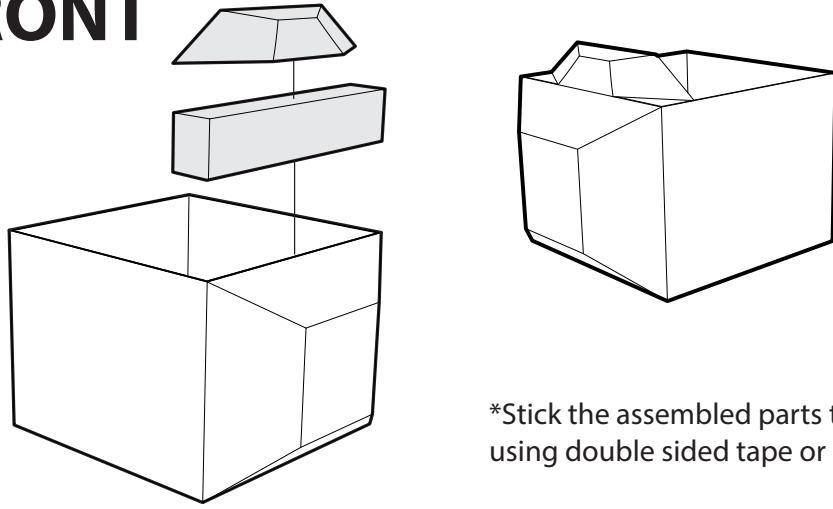


Sheet



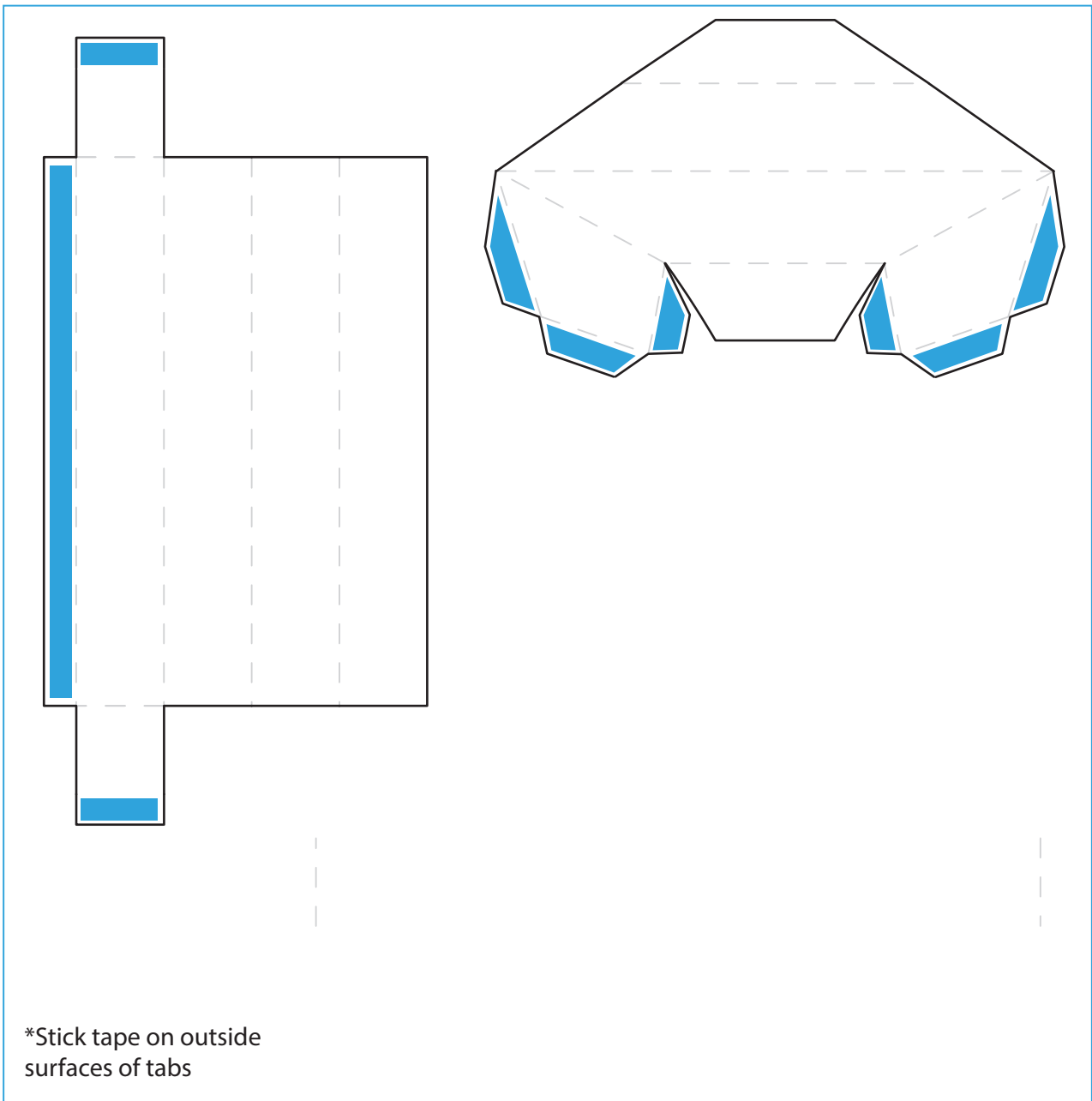
Tape

1. PLANE FRONT



*Stick the assembled parts together using double sided tape or PVA glue

1000mm



1000mm

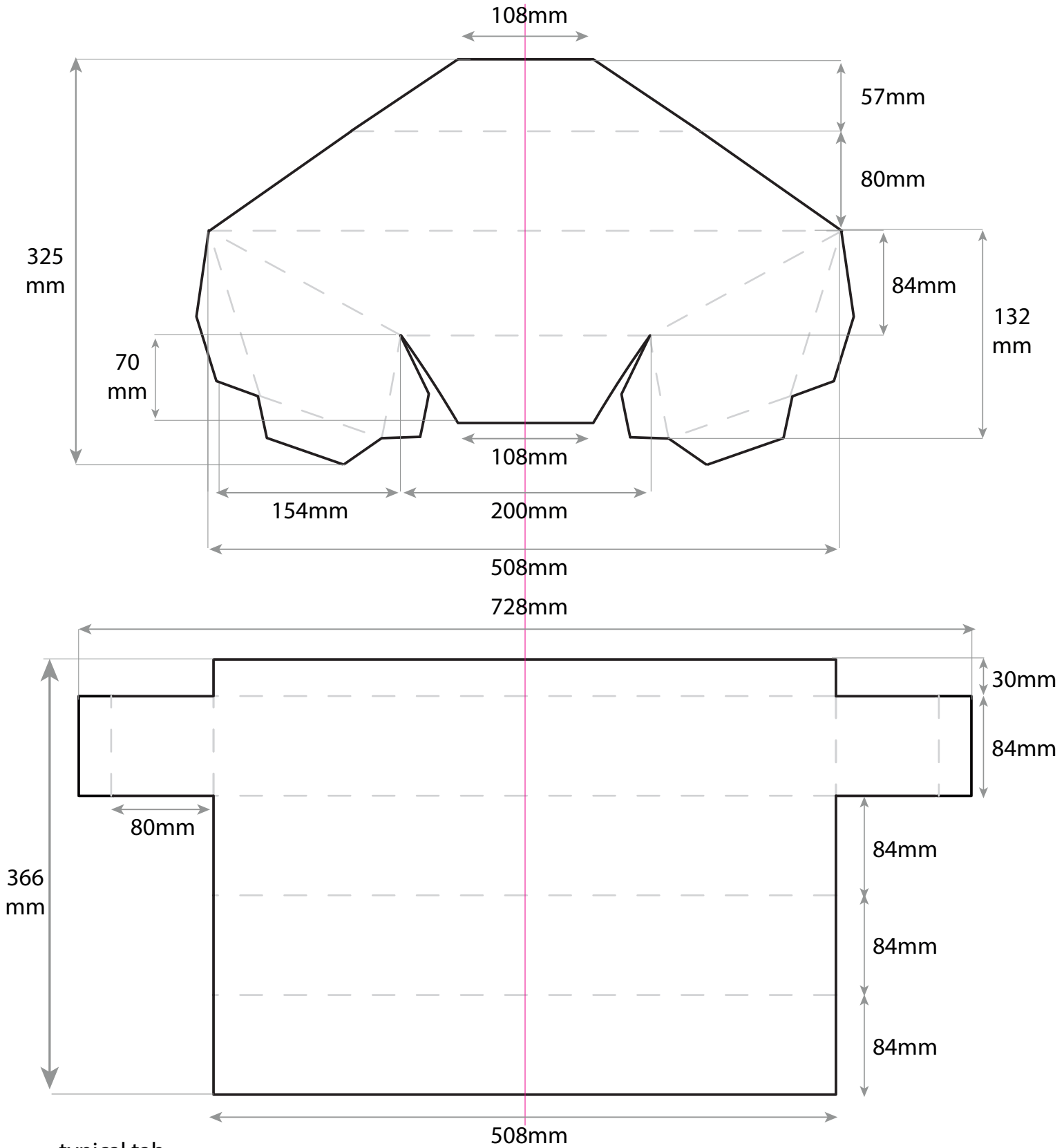
*Stick tape on outside surfaces of tabs

PLEASE NOTE: parental supervision is required when assembling the boxes, children should not use sharp cutting tools without the supervision of a responsible adult (over the age of 18).

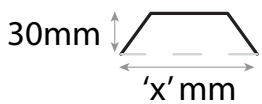
CAUTION: Always use a cutting mat or protective surface when cutting with a knife or similar tool.

1. PLANE FRONT

*drawing not to scale



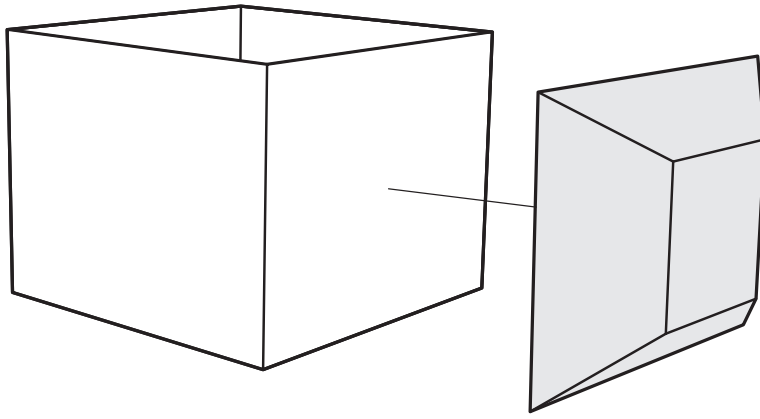
typical tab
dimensions:



Centreline:

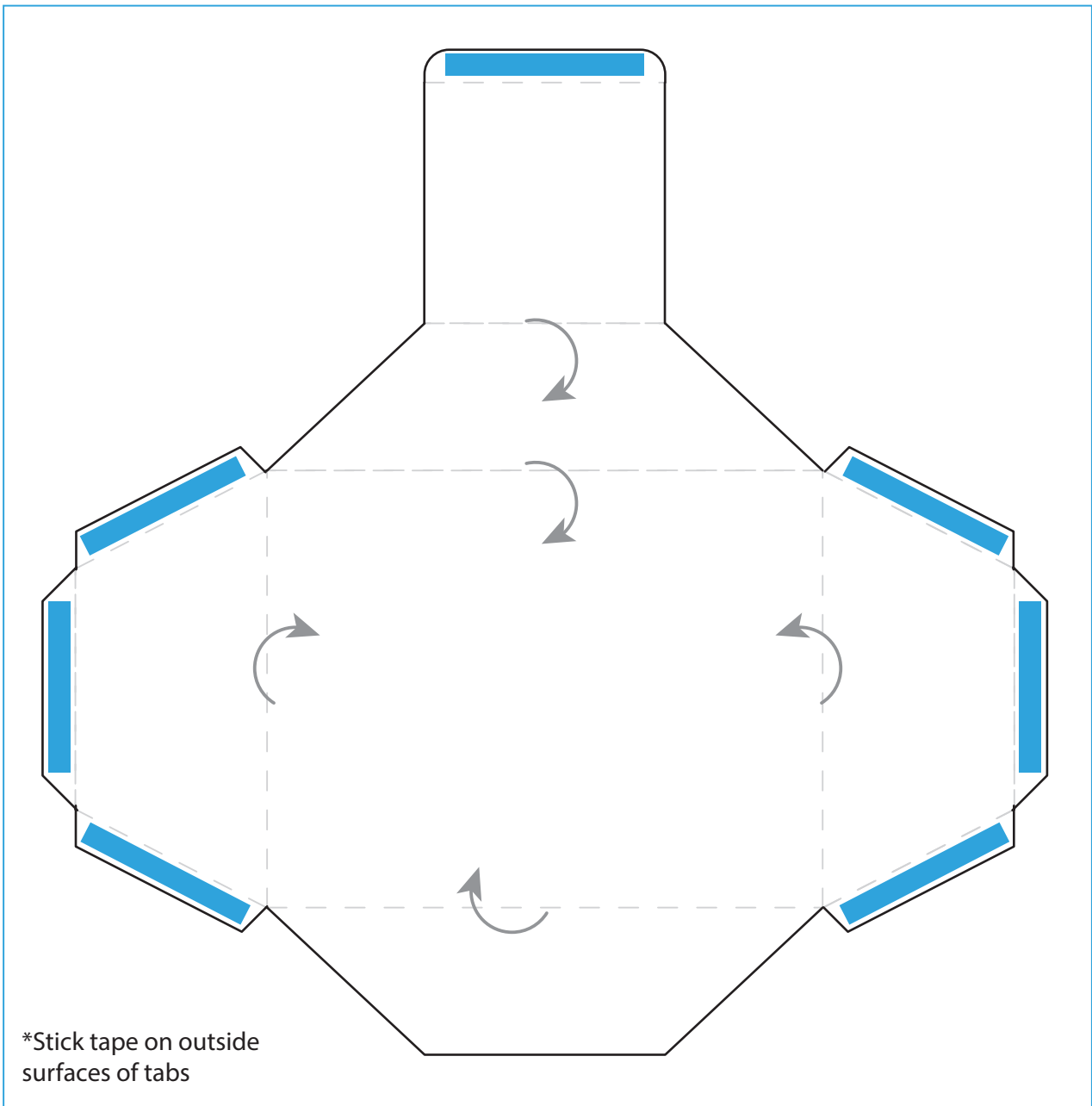


2. PLANE FRONT



*Stick the assembled parts together using double sided tape or PVA glue

1000mm



1000mm

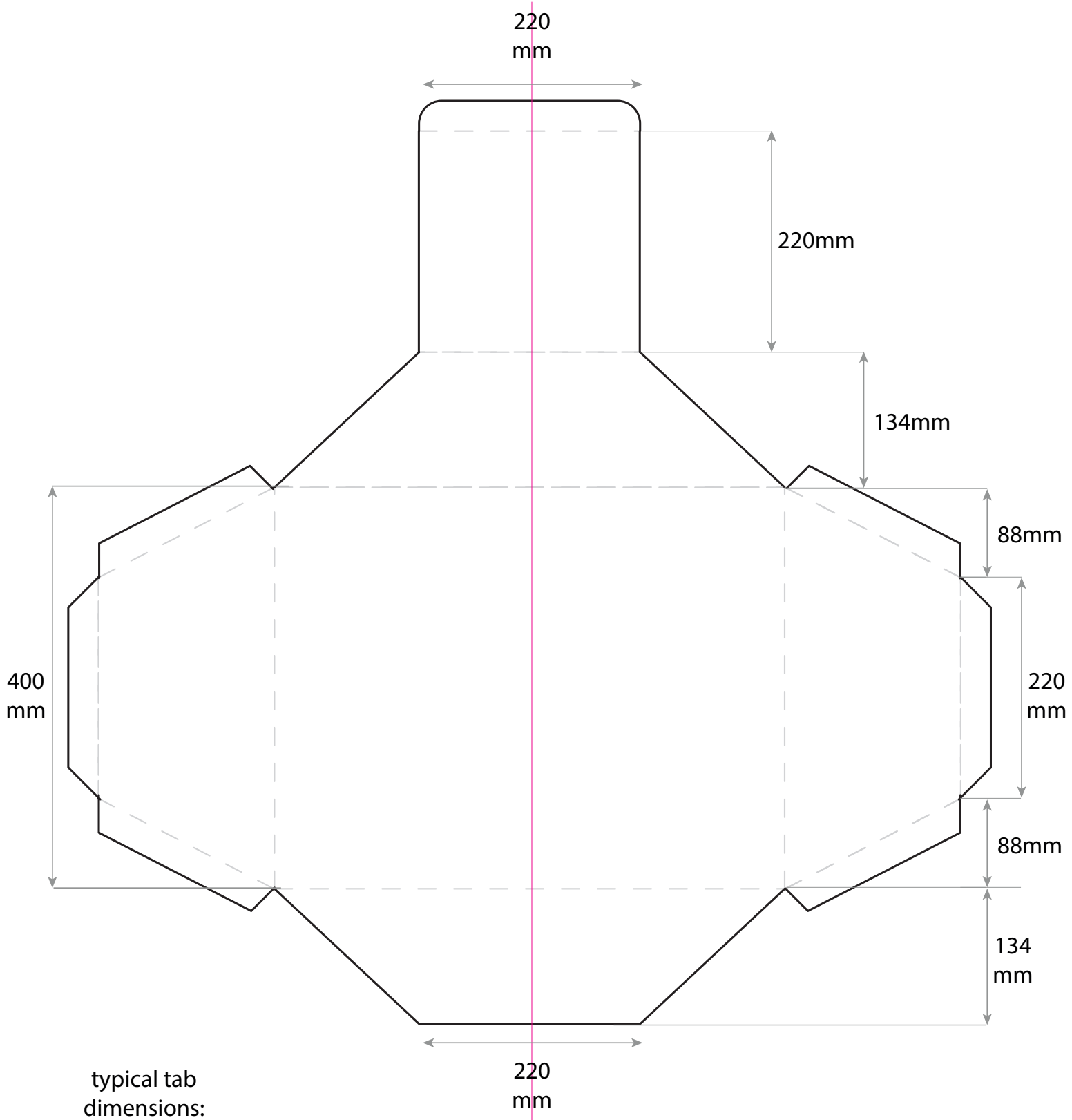
*Stick tape on outside surfaces of tabs

PLEASE NOTE: parental supervision is required when assembling the boxes, children should not use sharp cutting tools without the supervision of a responsible adult (over the age of 18).

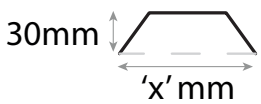
CAUTION: Always use a cutting mat or protective surface when cutting with a knife or similar tool.

2. PLANE FRONT

*drawing not to scale



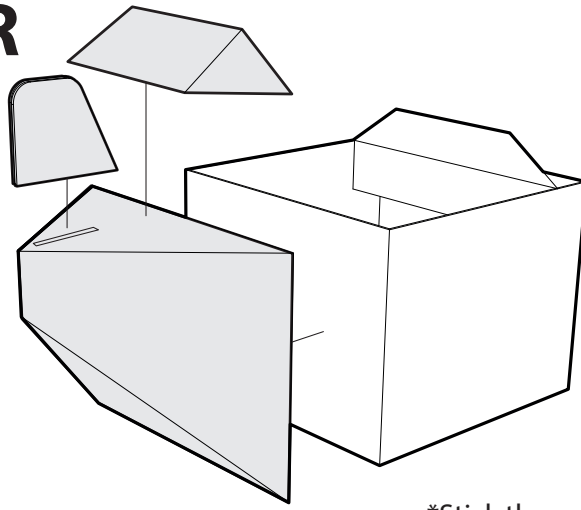
typical tab
dimensions:



Centreline:

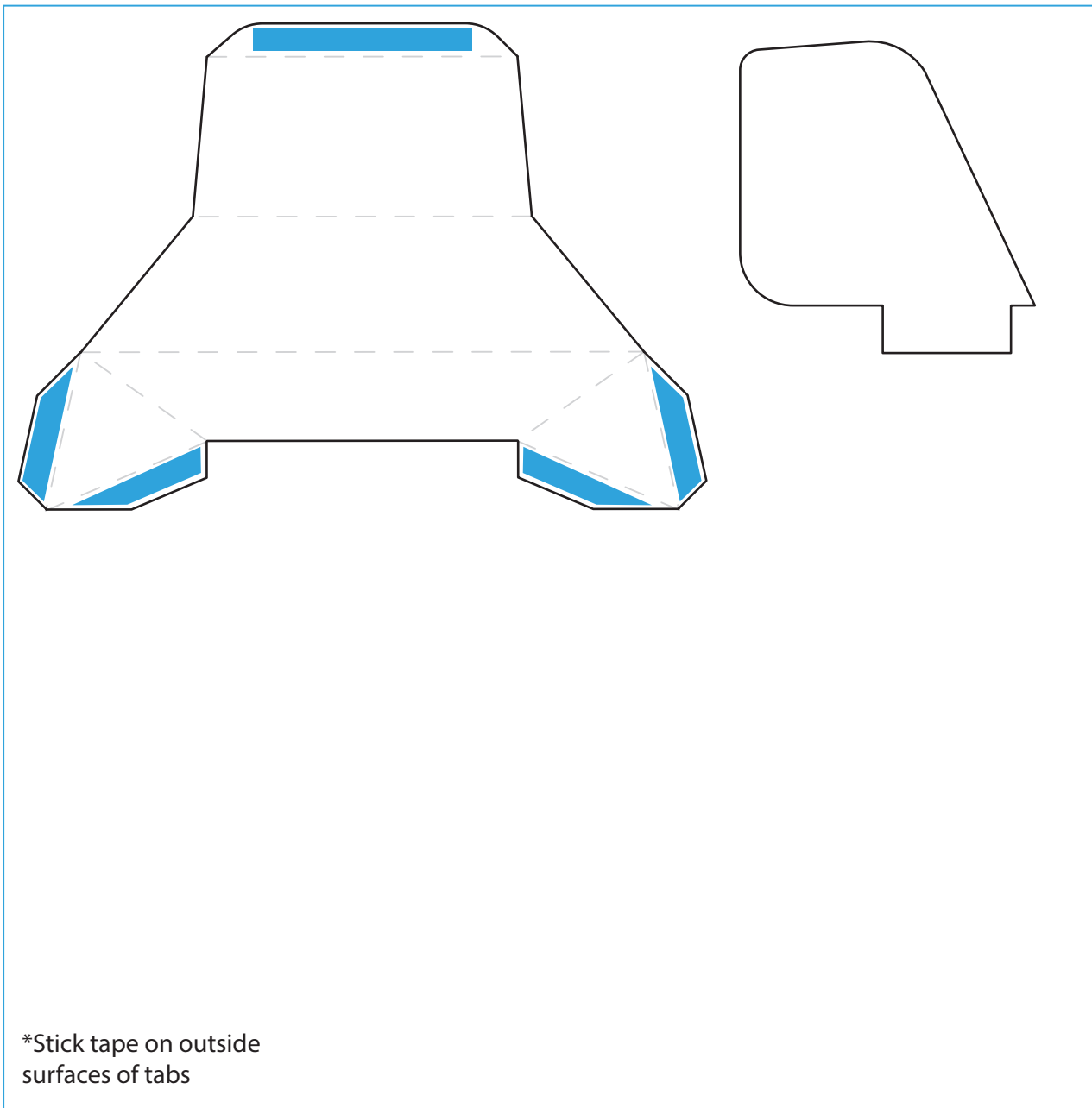


3. PLANE REAR



1000mm

*Stick the assembled parts together using double sided tape or PVA glue



1000mm

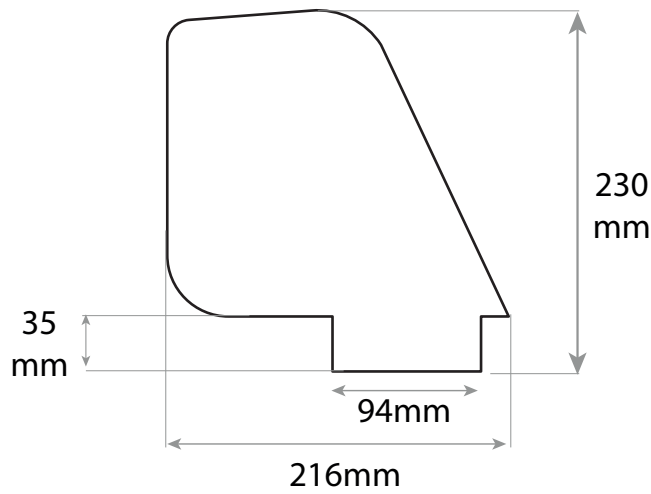
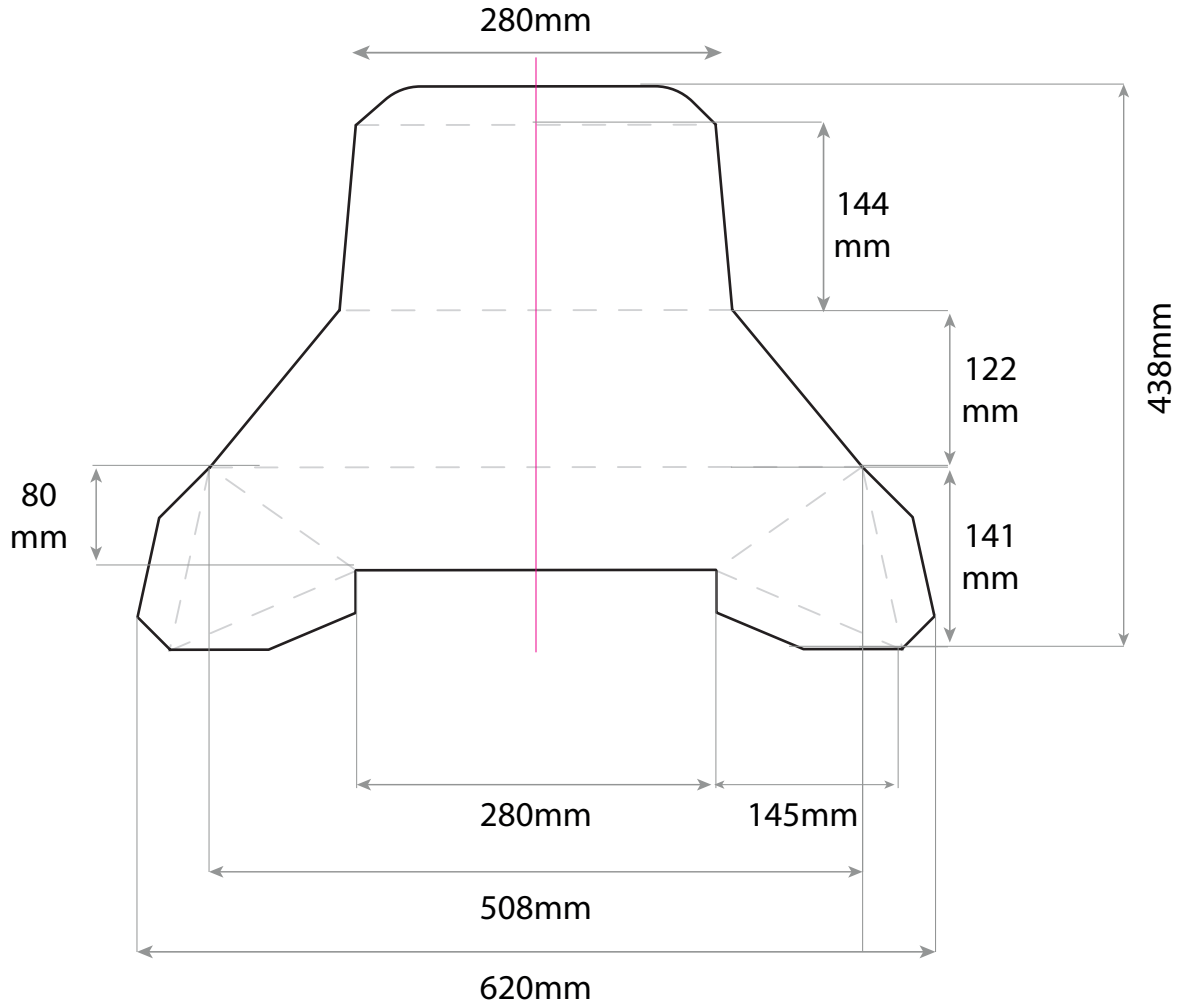
*Stick tape on outside surfaces of tabs

PLEASE NOTE: parental supervision is required when assembling the boxes, children should not use sharp cutting tools without the supervision of a responsible adult (over the age of 18).

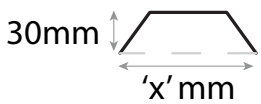
CAUTION: Always use a cutting mat or protective surface when cutting with a knife or similar tool.

3. PLANE REAR

*drawing not to scale



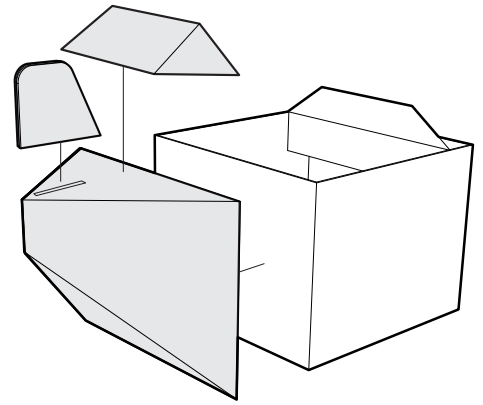
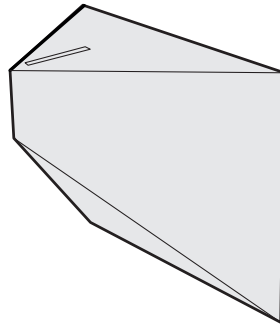
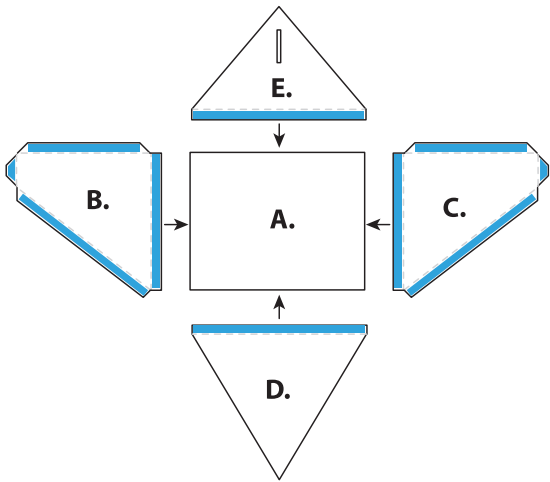
typical tab dimensions:



Centreline:

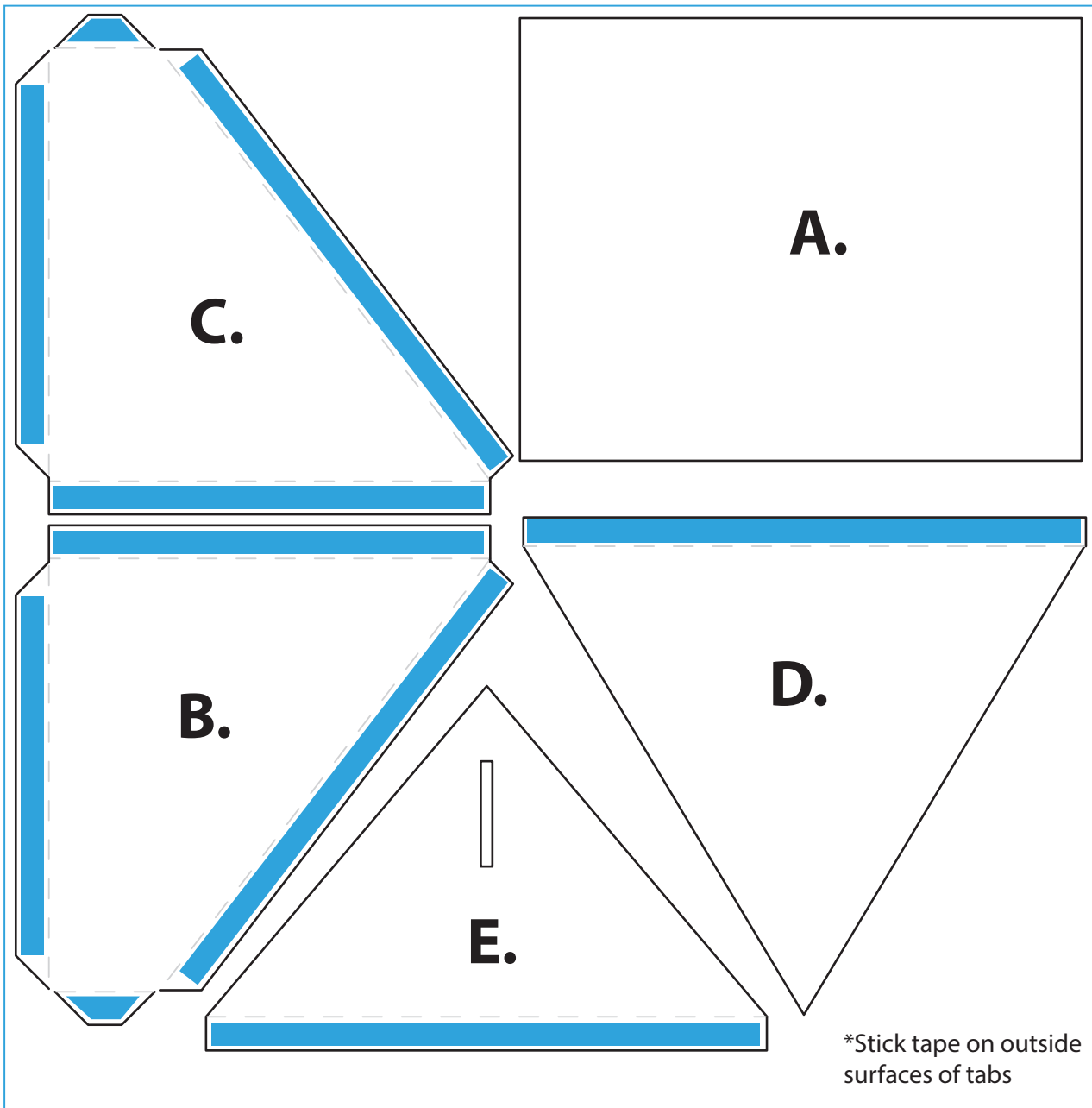


4. PLANE REAR



*Stick the assembled parts together using double sided tape or PVA glue

1000mm



1000mm

*Stick tape on outside surfaces of tabs

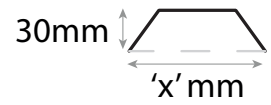
PLEASE NOTE: parental supervision is required when assembling the boxes, children should not use sharp cutting tools without the supervision of a responsible adult (over the age of 18).

CAUTION: Always use a cutting mat or protective surface when cutting with a knife or similar tool.

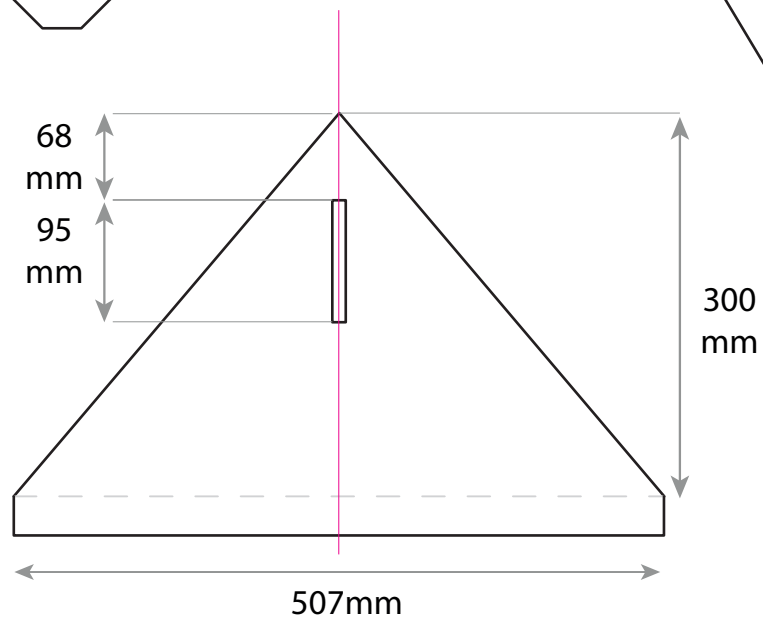
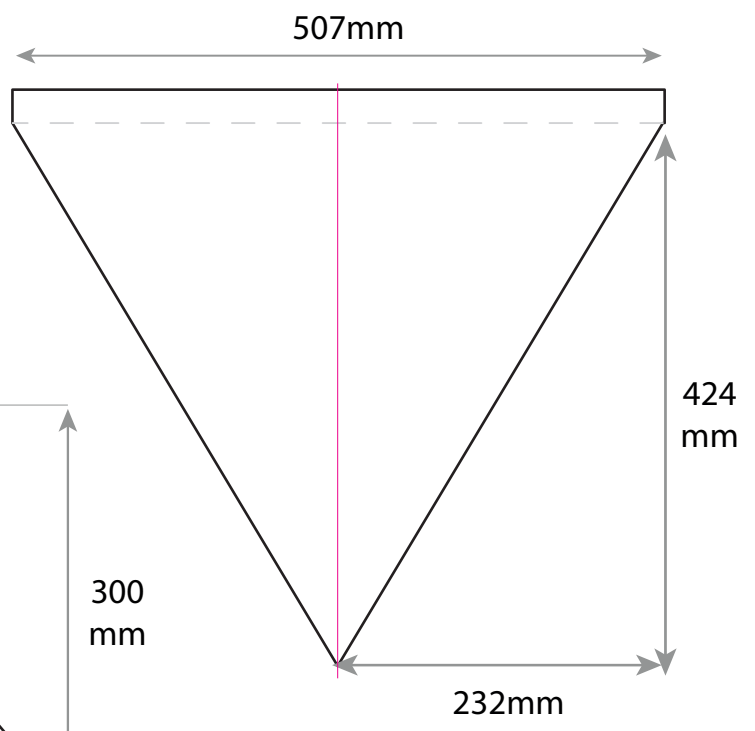
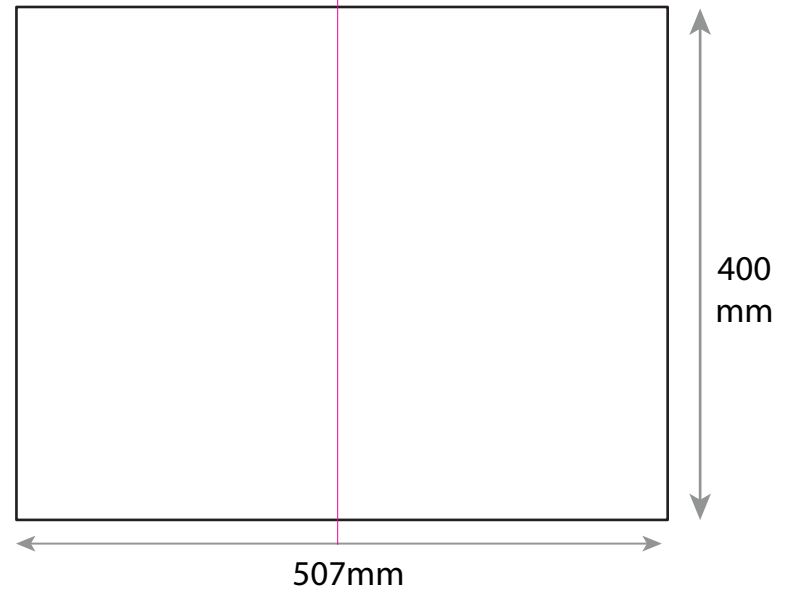
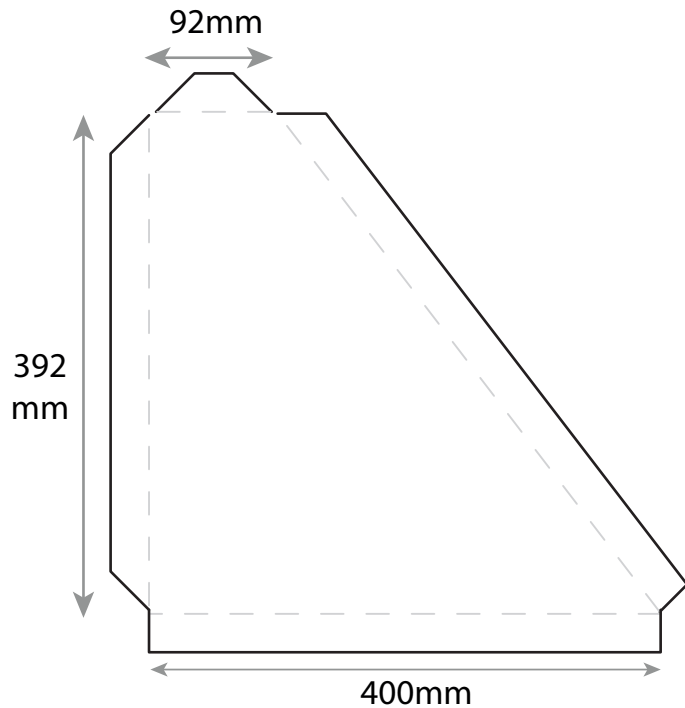
4. PLANE REAR

*drawing not to scale

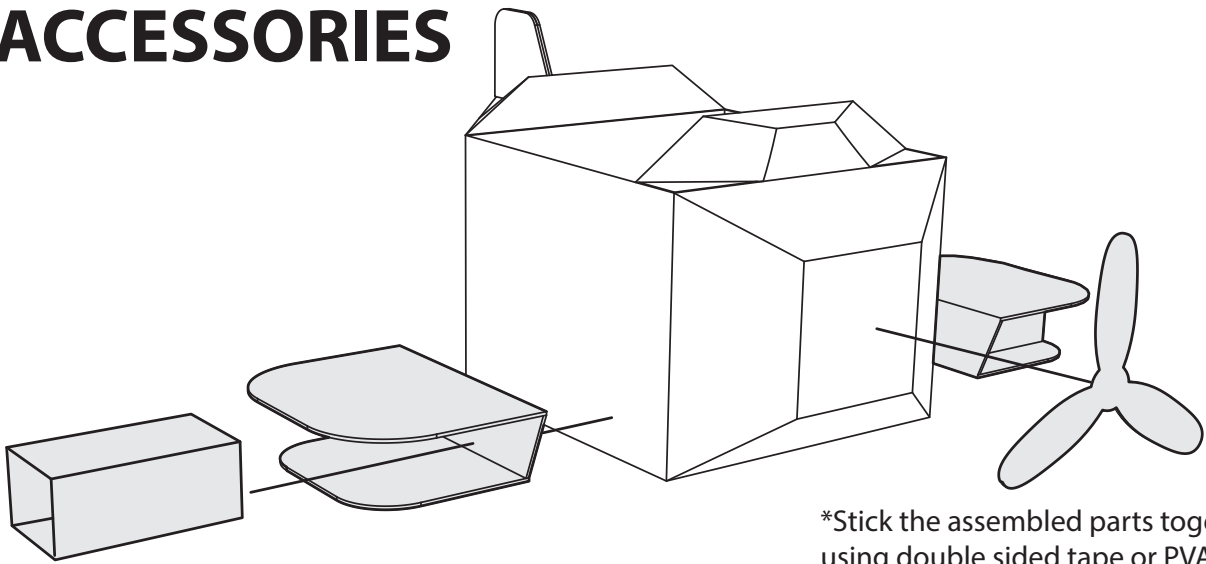
typical tab dimensions:



Centreline:

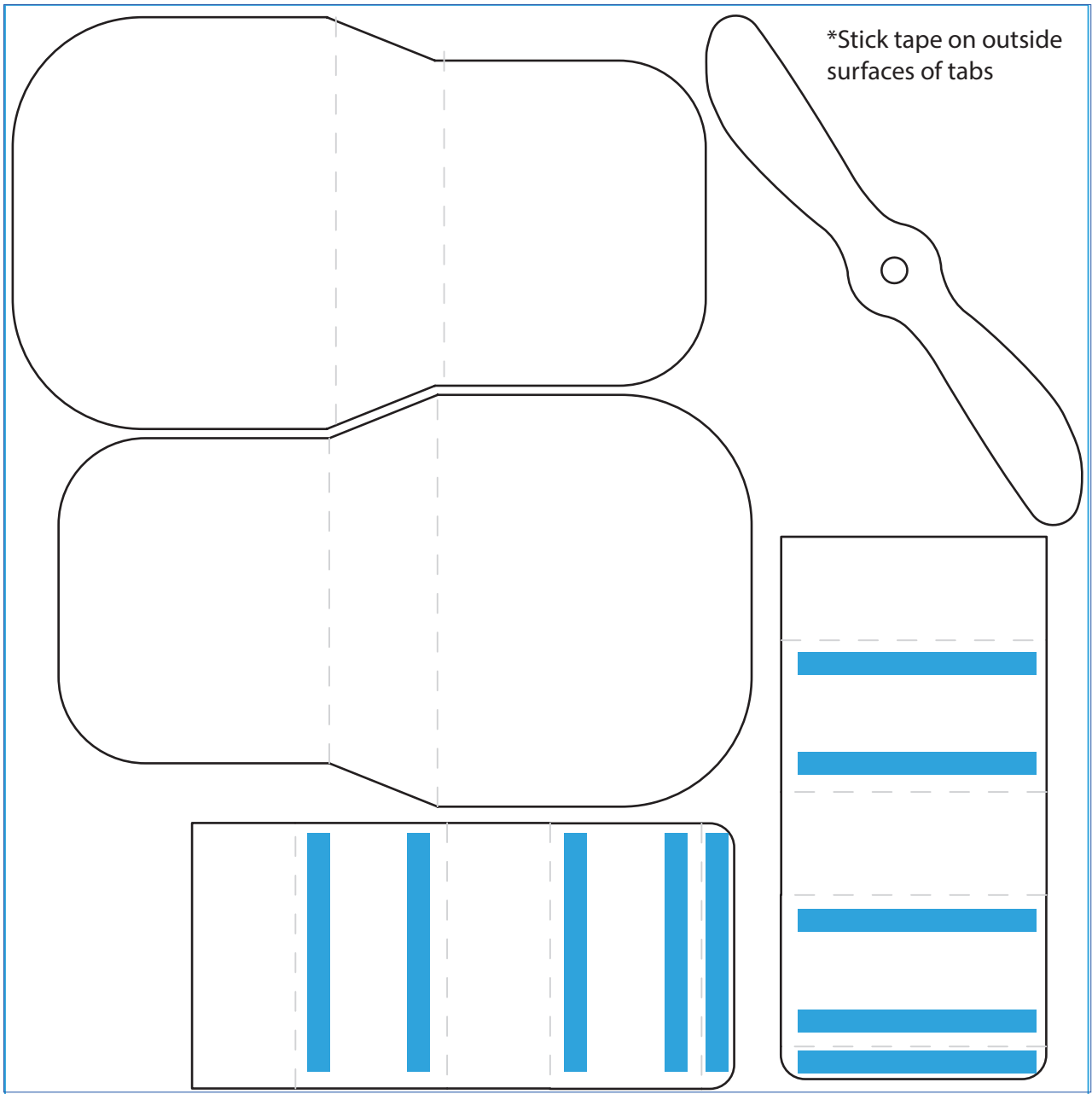


5. ACCESSORIES



1000mm

*Stick the assembled parts together using double sided tape or PVA glue



*Stick tape on outside surfaces of tabs

1000mm

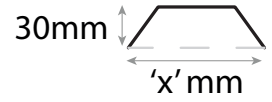
PLEASE NOTE: parental supervision is required when assembling the boxes, children should not use sharp cutting tools without the supervision of a responsible adult (over the age of 18).

CAUTION: Always use a cutting mat or protective surface when cutting with a knife or similar tool.

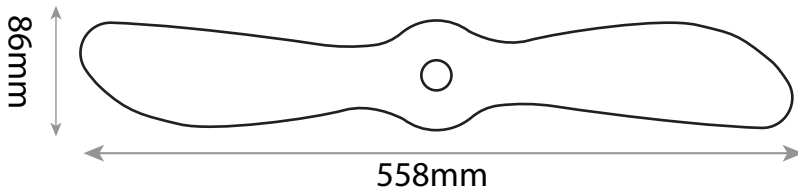
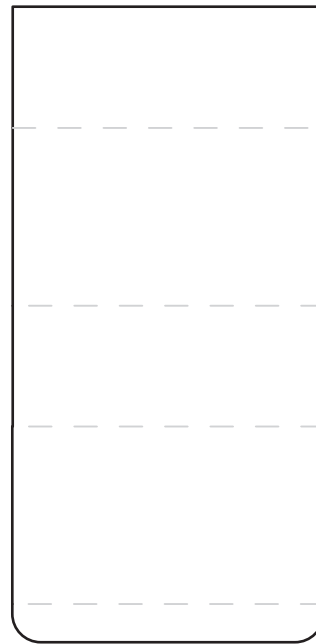
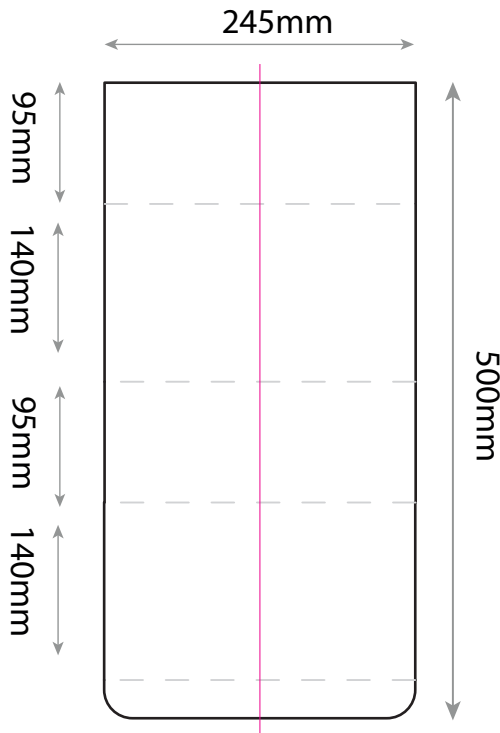
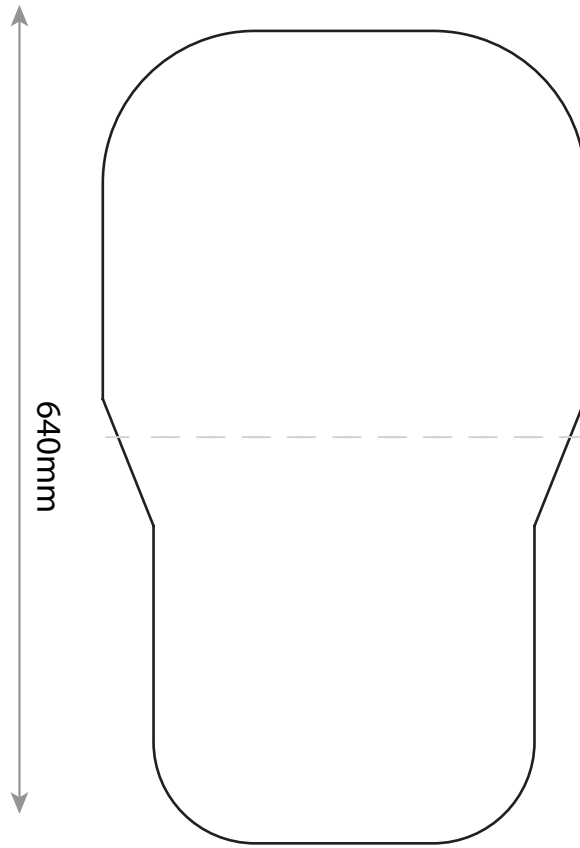
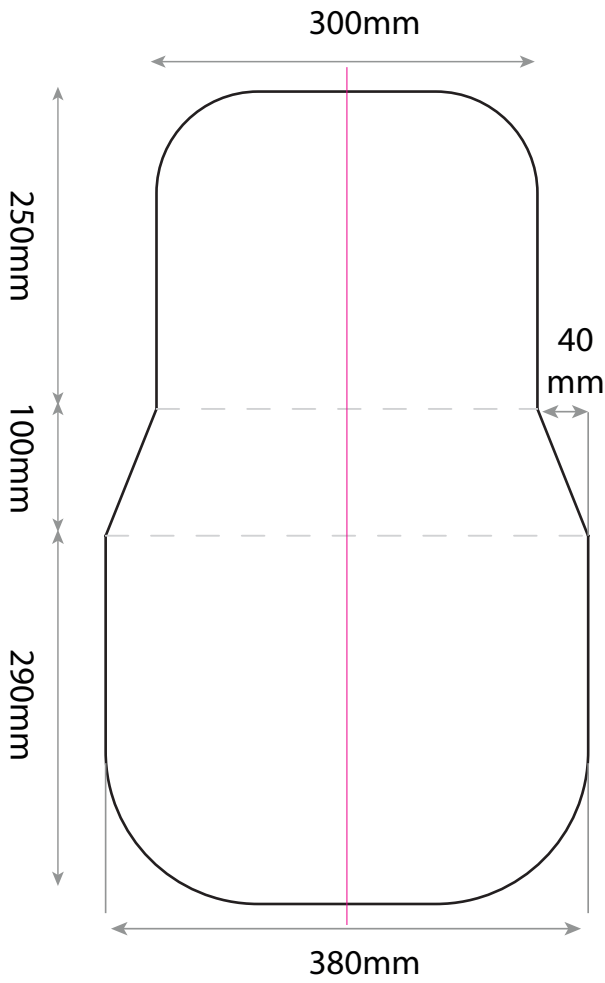
5. ACCESSORIES

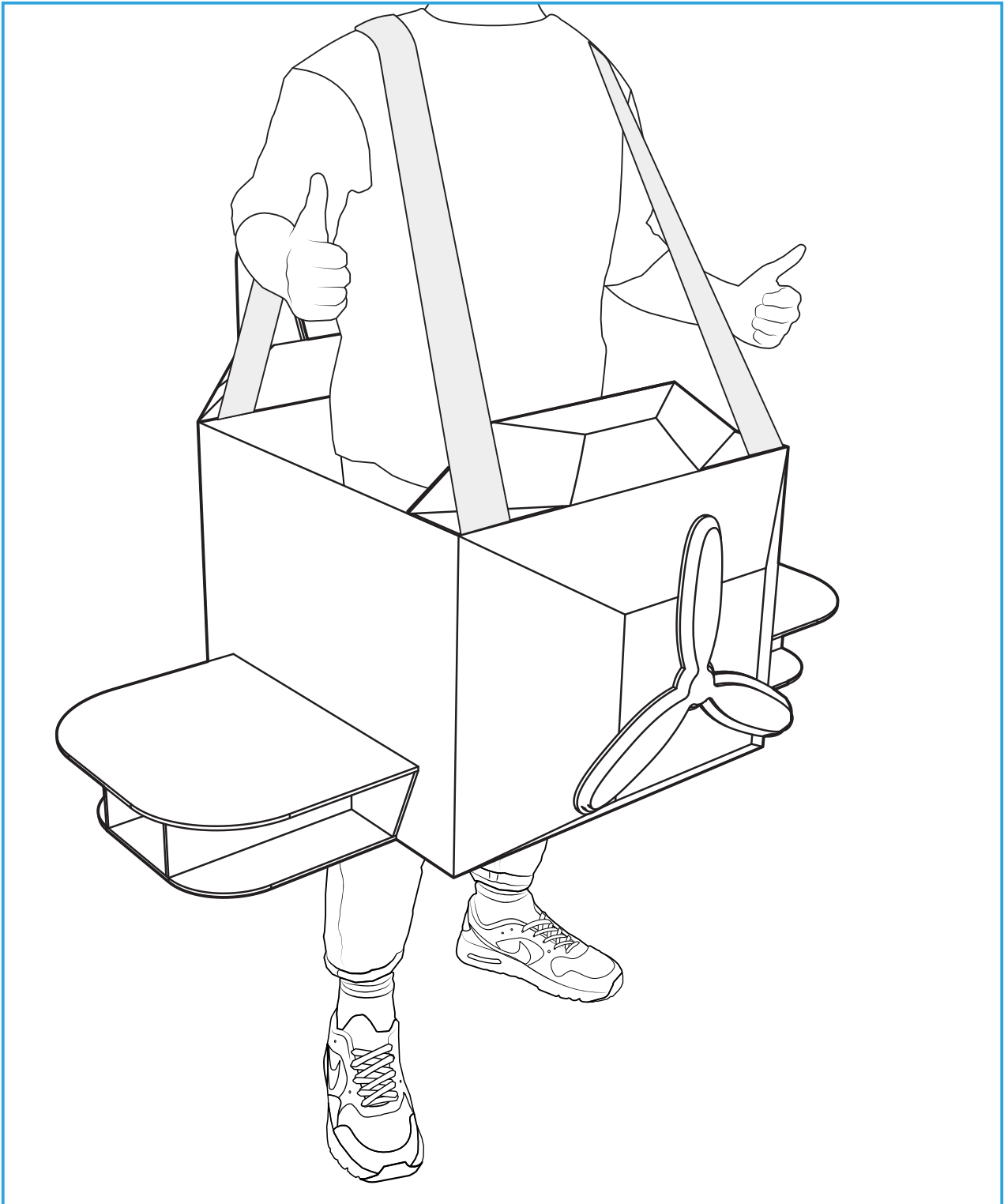
*drawing not to scale

typical tab dimensions:



Centreline:





BONUS FEATURE:

Glue fabric straps to the corners and cut out the bottom of the box for a wearable party outfit!